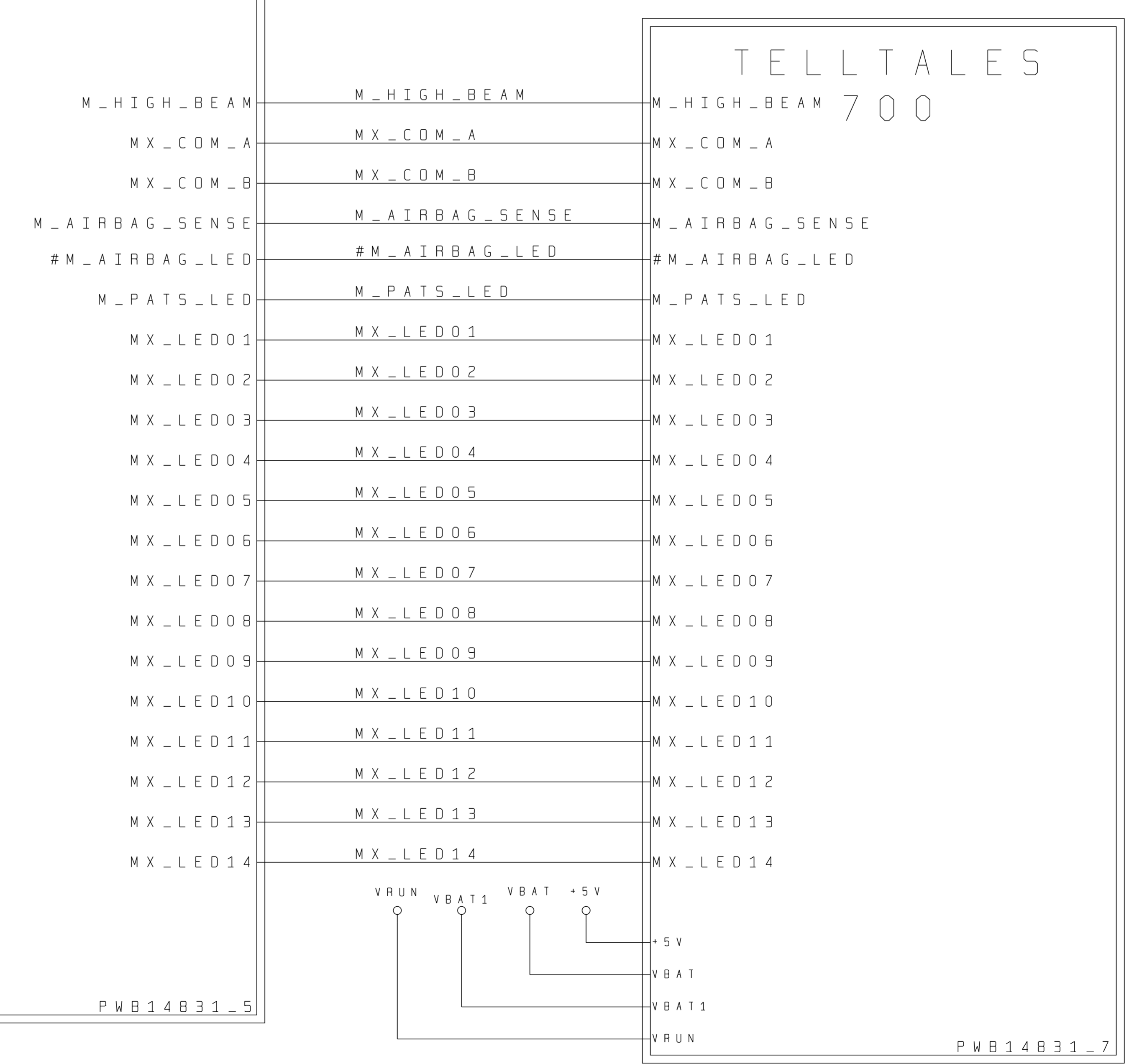
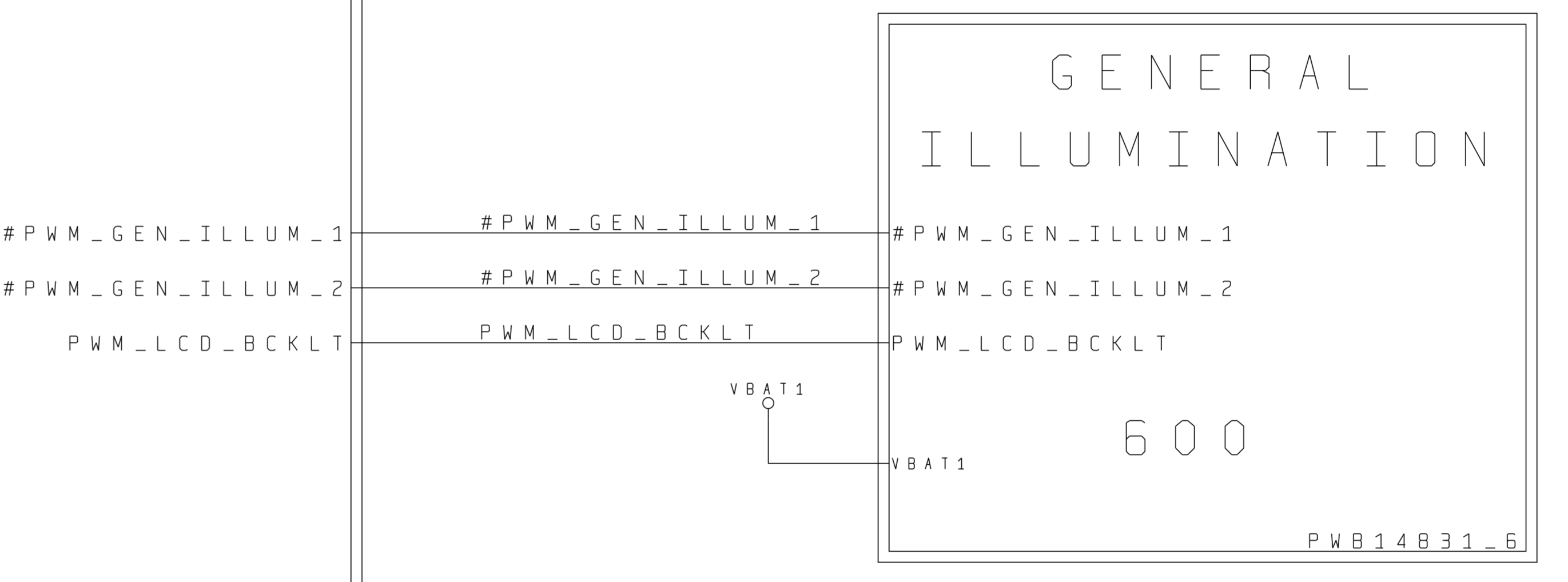
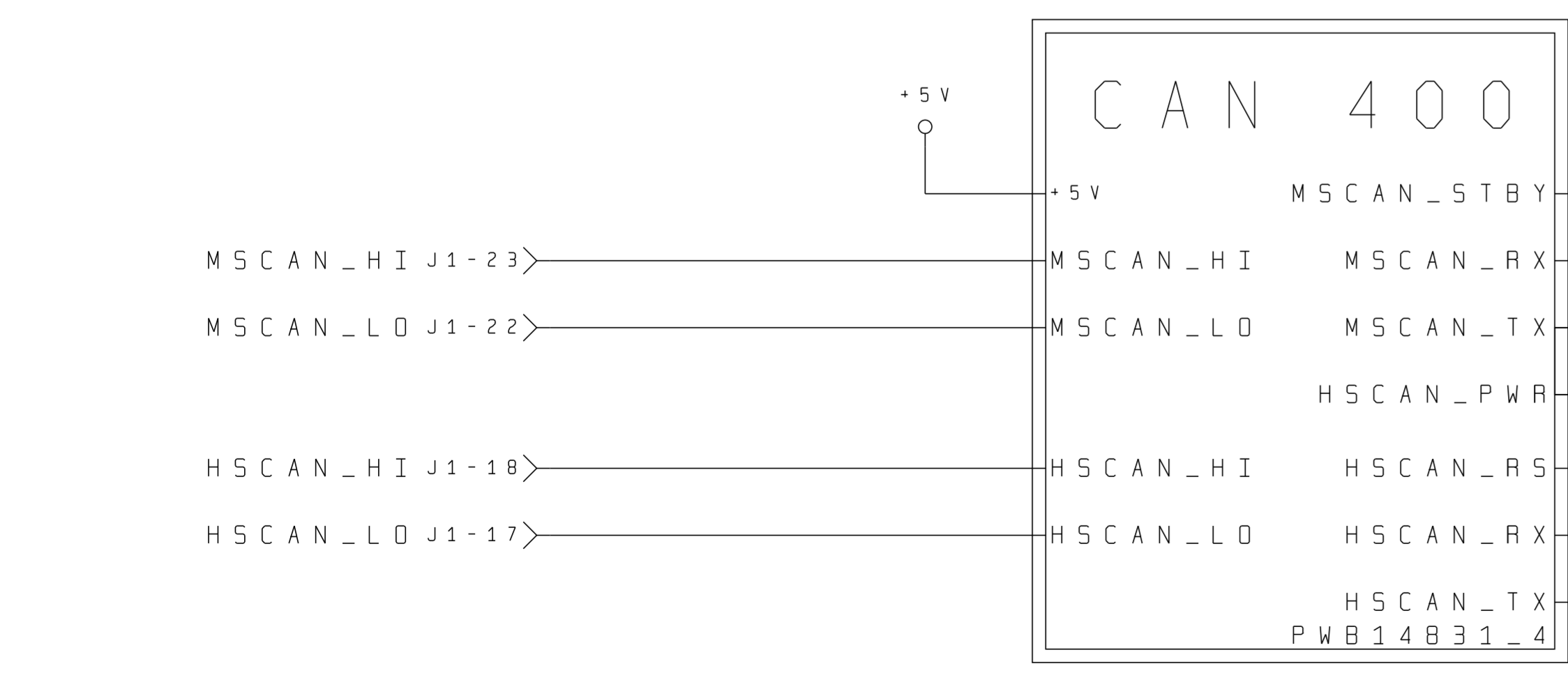
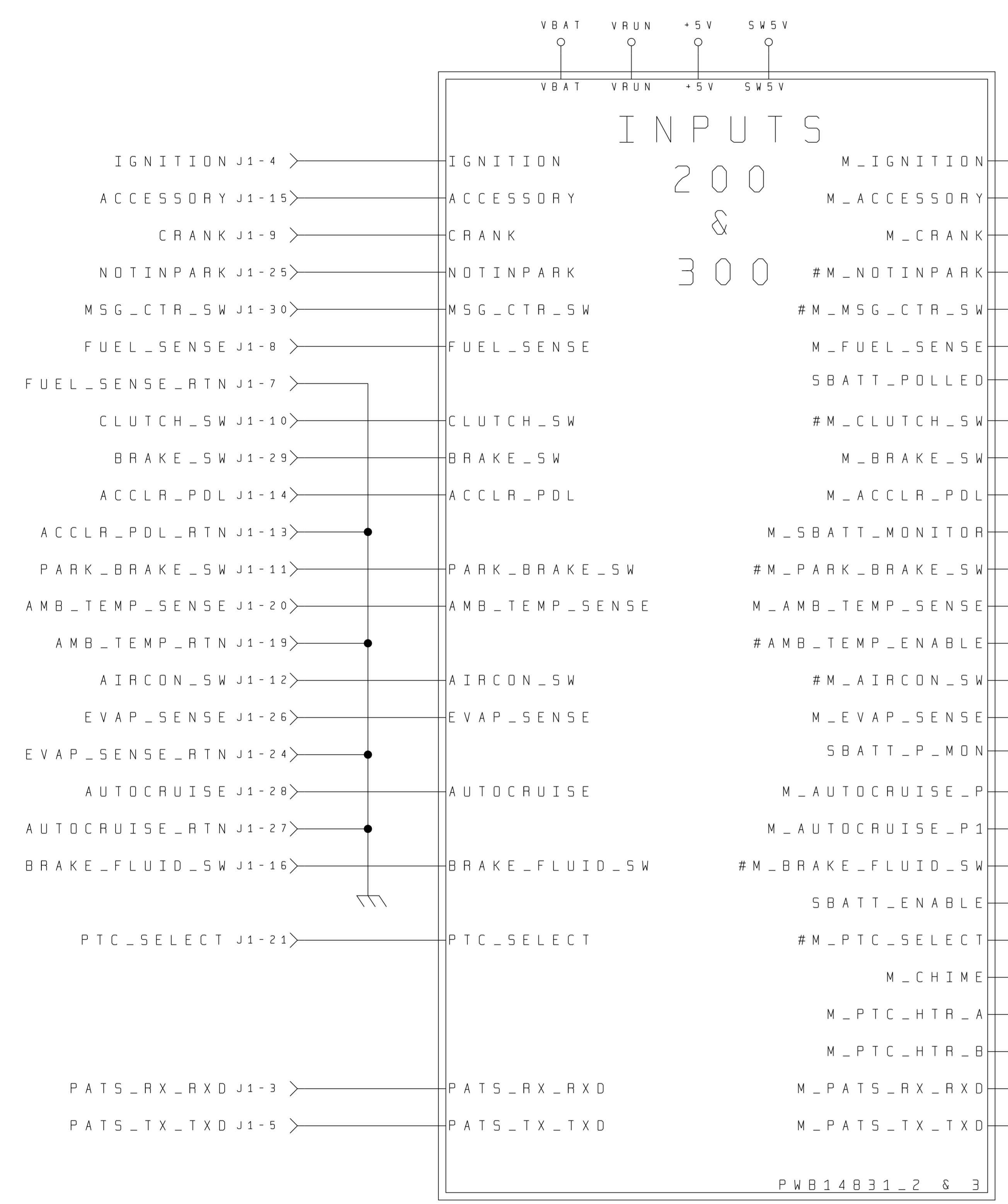
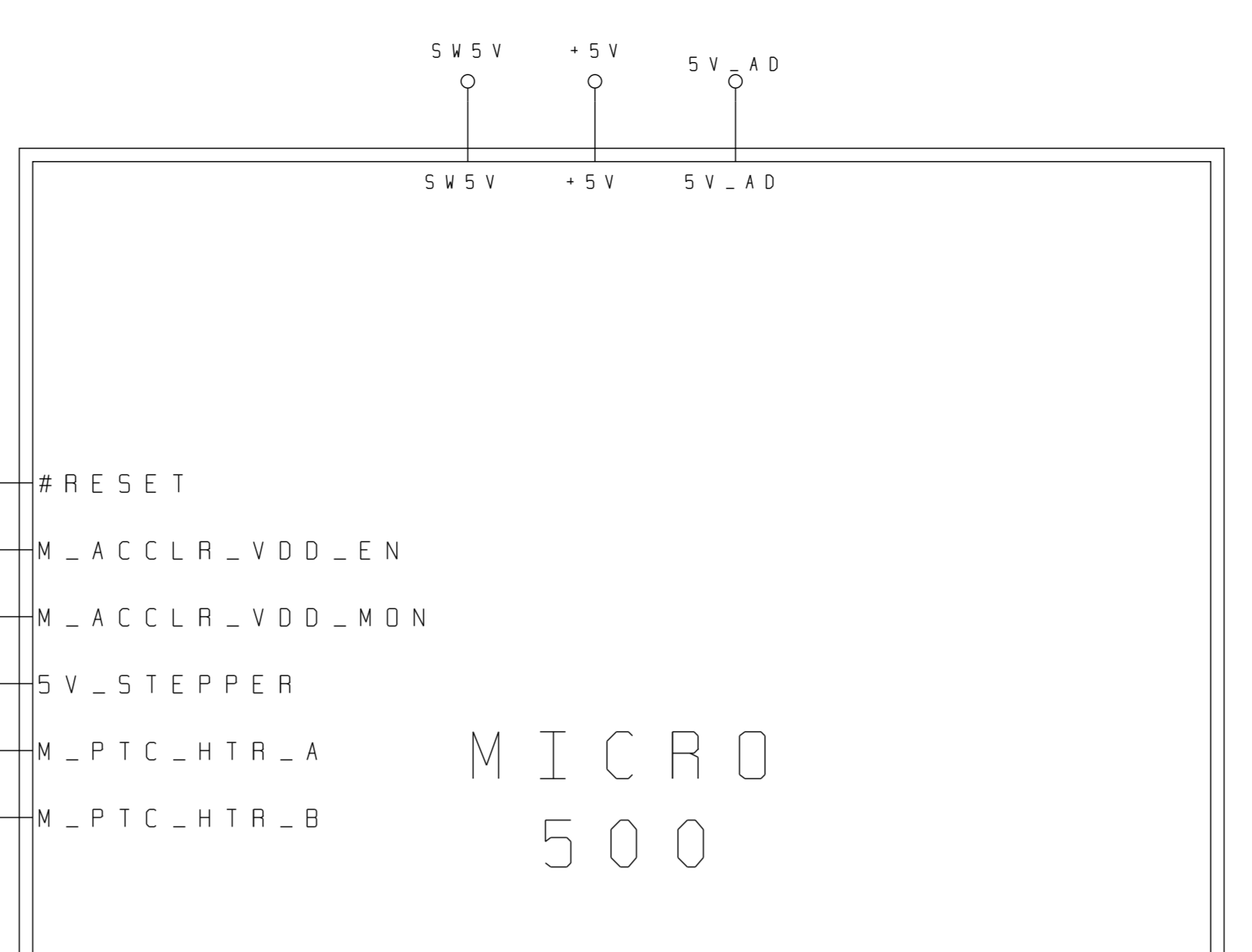
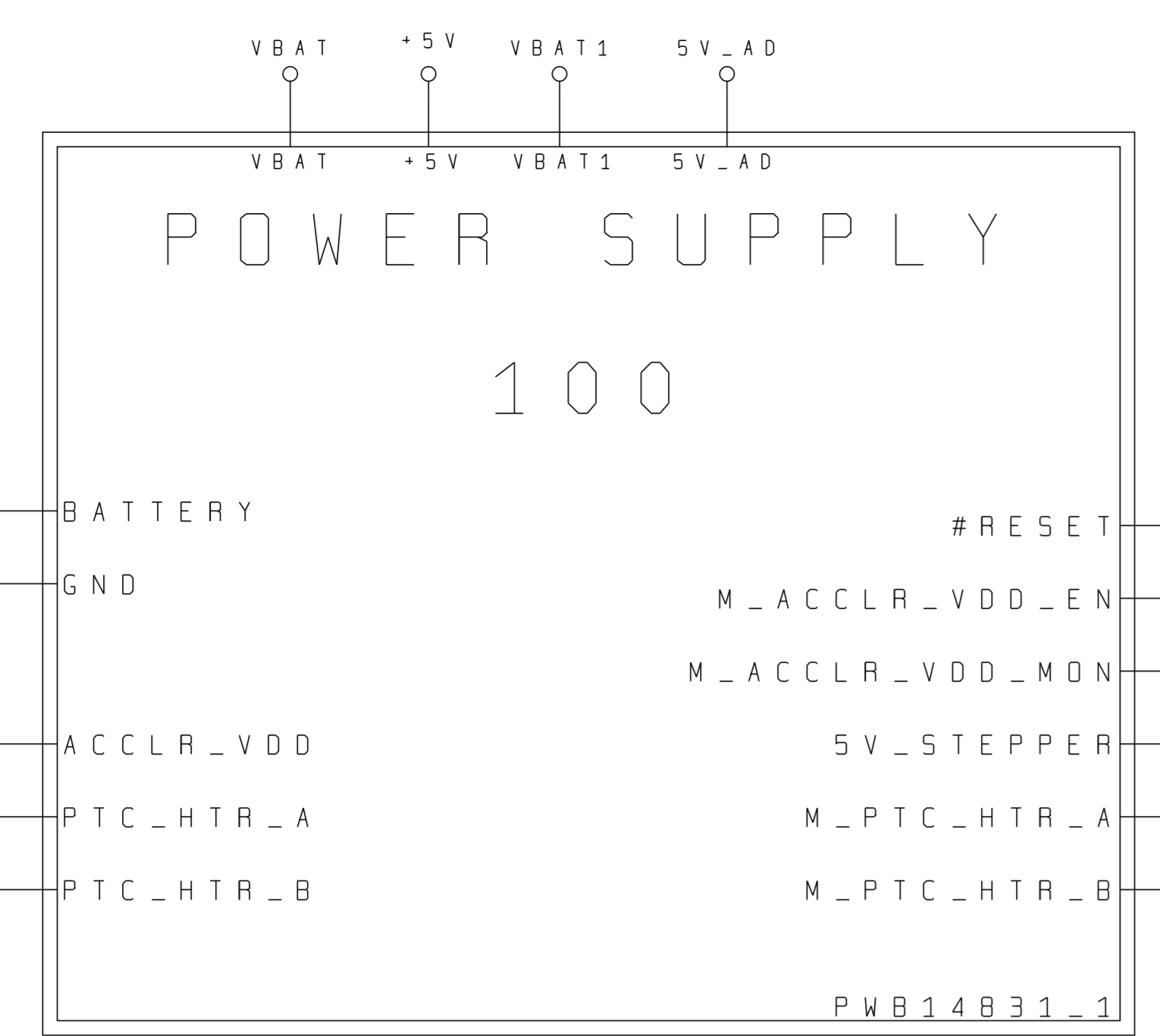


NO: PWB14831

SHEET 1 -- POWER SUPPLY
SHEET 2 -- INPUT CIRCUITS
SHEET 3 -- INPUT CIRCUITS
SHEET 4 -- CAN
SHEET 5 -- MICROPROCESSOR
SHEET 6 -- ILLUMINATION
SHEET 7 -- TELL-TALES
SHEET 8 -- MECHANICAL



MECH 800
PWB14831-8

DATE	LET	REVISIONS	CC	MAN	CK	APP

PART MUST COMPLY WITH SPECIFICATION 455-W89999-43 TO HELP SAFEGUARD HEALTH, SAFETY AND THE ENVIRONMENT

Visteon PRODUCT ENGINEERING

COMPUTER MANUAL "A0" SIZE

CC COLUMN - GRAPHIC DATA LEVEL ORIGINAL WHEN RED

REF	DATE	CHECKED	SCALE	APPROVED
B. MCKELLAR	09AUG06		NONE	

UNLESS OTHERWISE SPECIFIED:
DIMENSIONS ARE IN: INCHES MILLIMETERS

MACHINED DIM: +/- ANGULAR DIM: +/-

3RD ANGLE PROJECTION
STAMPED DIM: +/-

MATERIAL: APP

DATE: 090806

NAME: SKETCH - WIRING DIAGRAM
TOP SHEET

NO: PWB14831

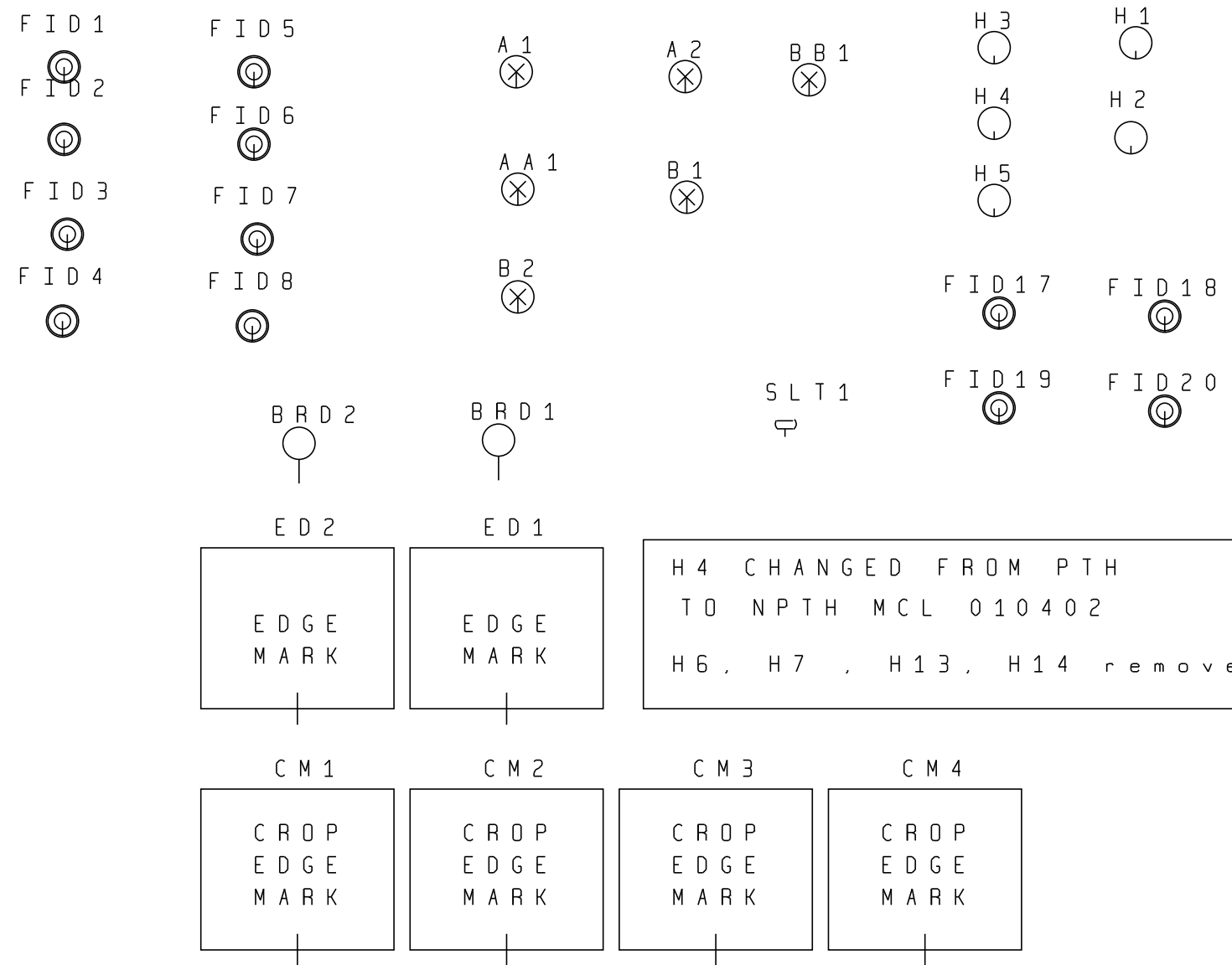
PLANT CODE: CAD12

B2YY-PROTO-SHT8 MECHANICAL POWERVIEW

CADIZ MECHANICAL DETAIL

THIS SHEET IS NOT TO BE CHANGED

MOTHER PANEL DETAIL



EDGE MARK

EDGE MARK

H 4 CHANGED FROM PTH TO NPTH MCL 010402
H 6 , H 7 , H 13 , H 14 removed .

CROP EDGE MARK

CROP EDGE MARK

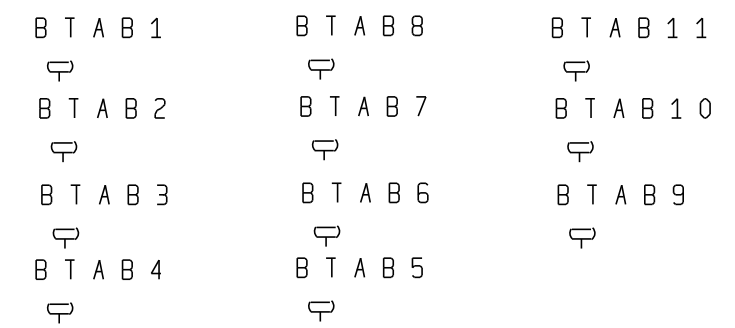
CROP EDGE MARK

CROP EDGE MARK

DAUGHTER BOARD DETAIL

TOOLING HOLES (2.5mm / HL-098)
(test/routing)

GLOBAL FIDUCIALS (top)



05I26

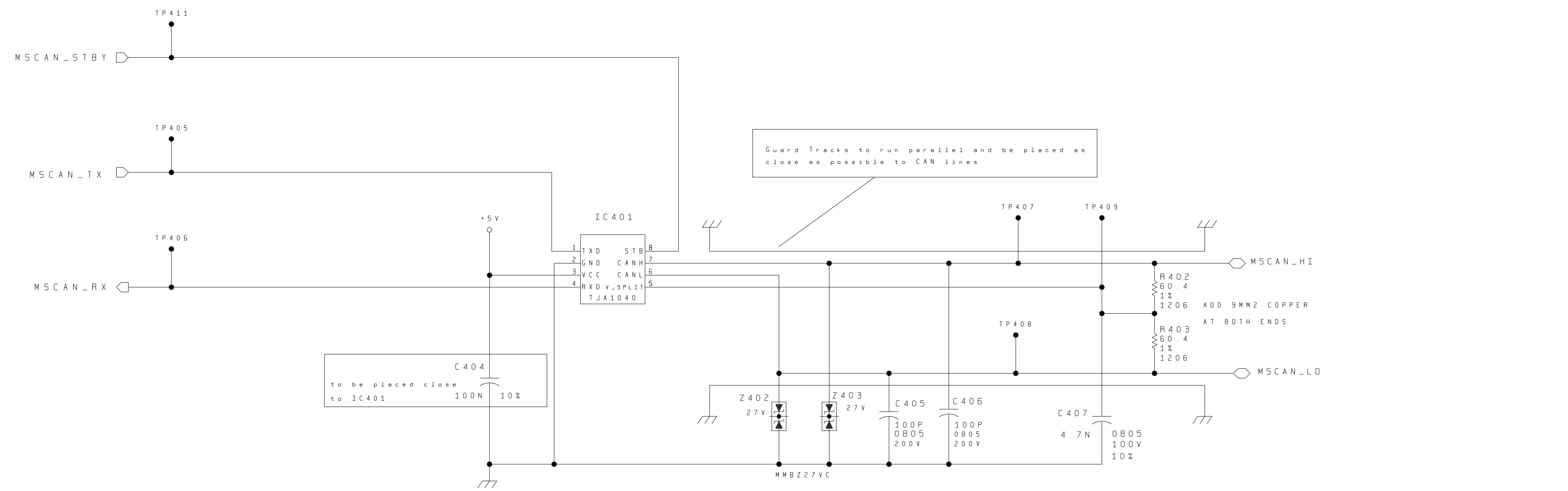
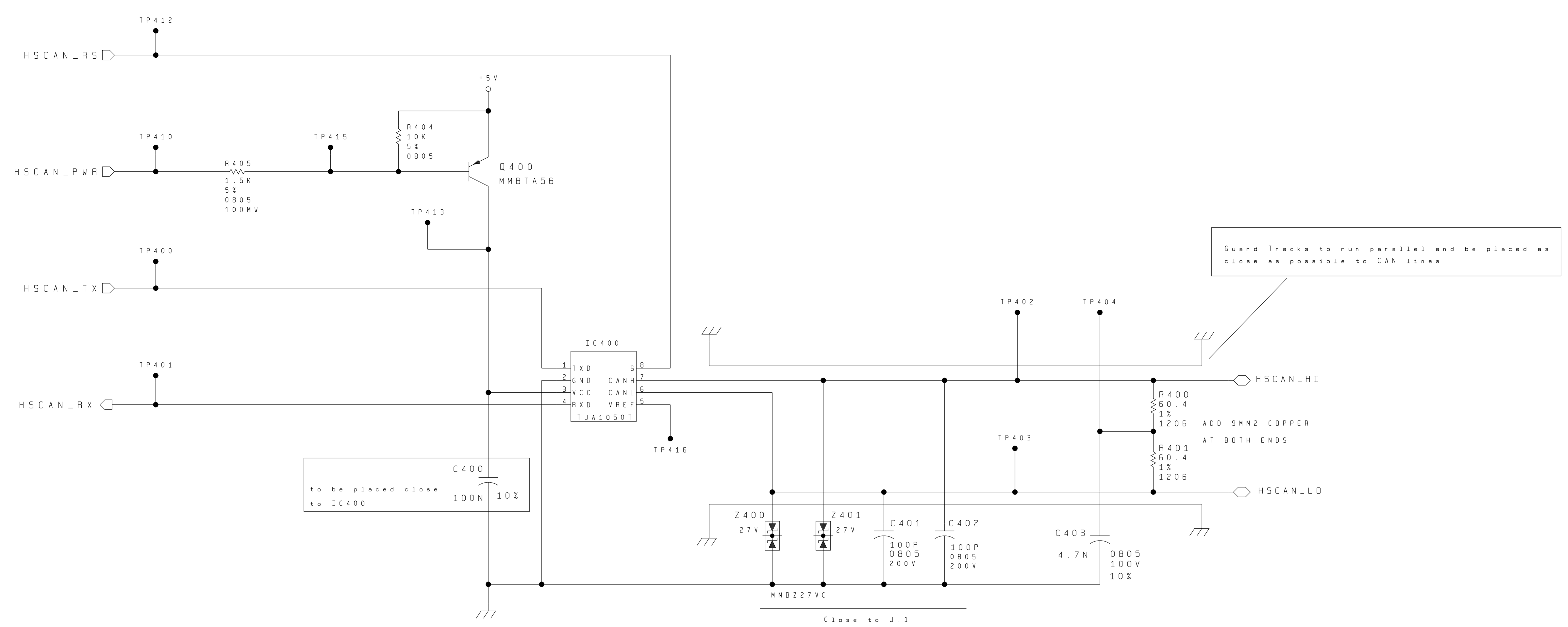
Visteon	SHEET 8 OF 9	DATE 09 AUG 06
NO. MS - XXXX - 3458 - XX		

PWB 14831-8

MECHANICAL

DATE	LET	REVISIONS	CC	MAN	CK	APP

- CAN output lines xxx_HI and xxx_LO to be screened.
 - the 60.4 ohm resistors to have 9 mm2 copper added at both ends.



PART MUST COMPLY WITH SPECIFICATION ASS-MBSP9308-A3 TO HELP SAFEGUARD HEALTH, SAFETY AND THE ENVIRONMENT

Visteon PRODUCT ENGINEERING

COMPUTER MANUAL "A0" SIZE

CC COLUMN - GRAPHIC DATA LEVEL ORIGINAL WHEN RED

REF	DATE	CHECKED	SCALE	APPROVED
M. WEBB	131006		NONE	

UNLESS OTHERWISE SPECIFIED:
 DIMENSIONS ARE IN
 INCHES MILLIMETERS

MACHINED DIM. +/-
 ANGULAR DIM. +/-

3RD ANGLE PROJECTION
 STAMPED DIM. +/-

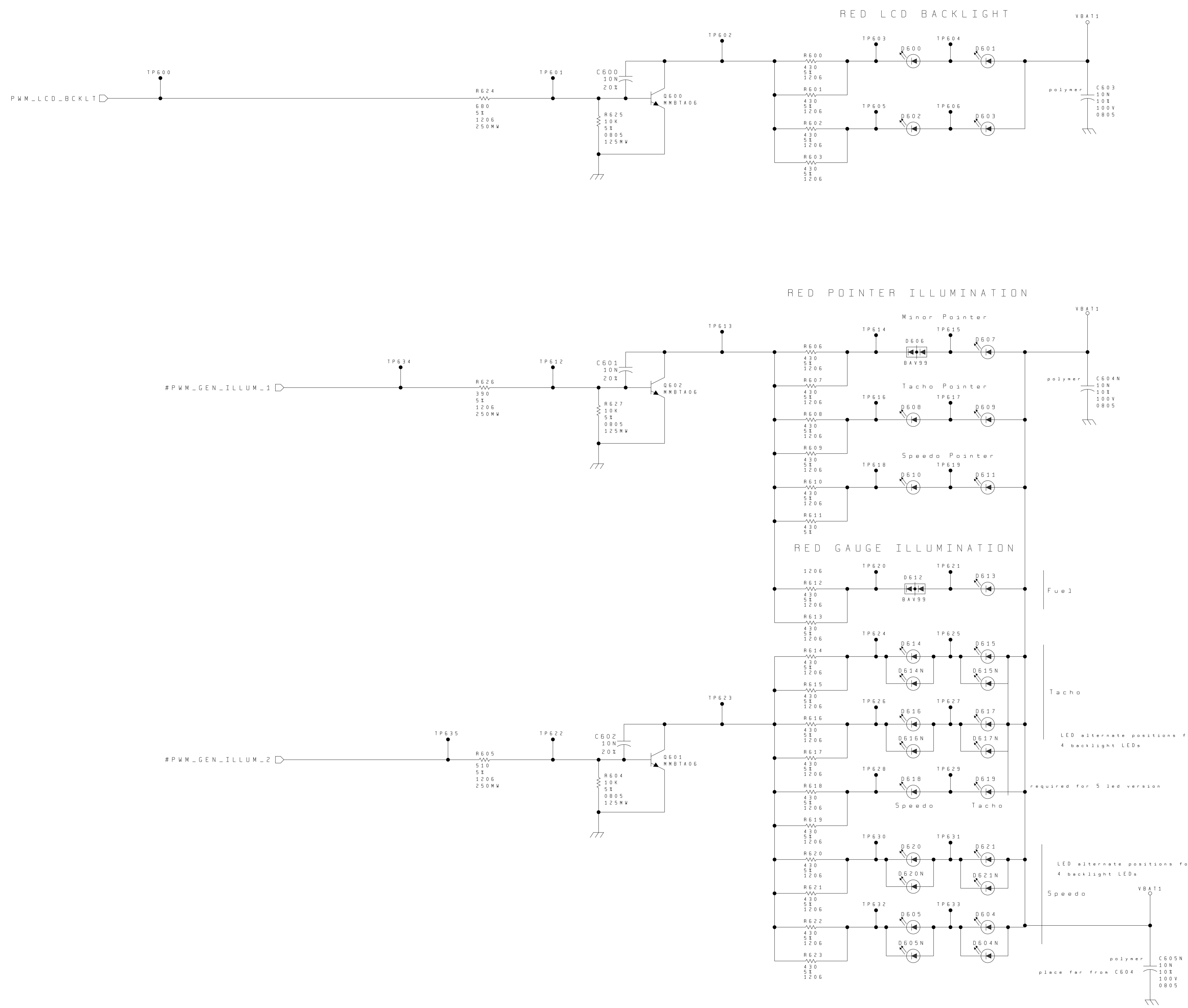
MATERIAL: APP
 DATE: 131006

NAME: SKETCH - WIRING DIAGRAM
 CAN

NO. PWB14831_4

PLANT CODE: CAD12

DATE	LET	REVISIONS	CC	MAN	CK	APP



PWB14831 - SHT6 - ILLUMINATION

PART MUST COMPLY WITH SPECIFICATION 455-WBP9999-A3 TO HELP SAFEGUARD HEALTH, SAFETY AND THE ENVIRONMENT

Visteon PRODUCT ENGINEERING

COMPUTER MANUAL "A0" SIZE

CC COLUMN - GRAPHIC DATA LEVEL ORIGINAL WHEN RED

DRAWN BY	DATE	CHECKED	SCALE	APPROVED
M. WEBB	130106		NONE	

UNLESS OTHERWISE SPECIFIED:
 DIMENSIONS ARE IN: INCHES MILLIMETERS

MACHINED DIM. +/- ANGULAR DIM. +/-

3RD ANGLE PROJECTION
 STAMPED DIM. +/-

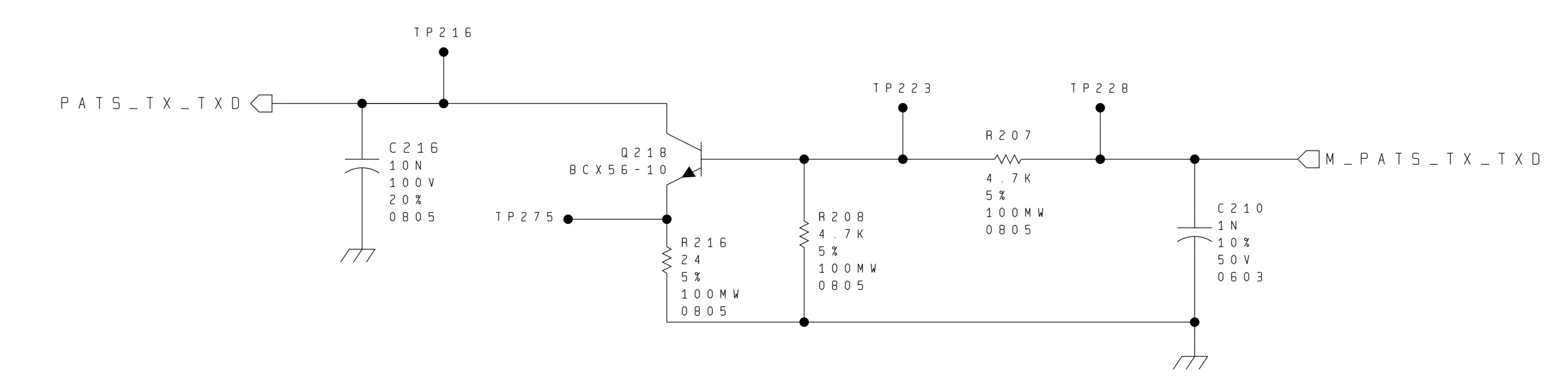
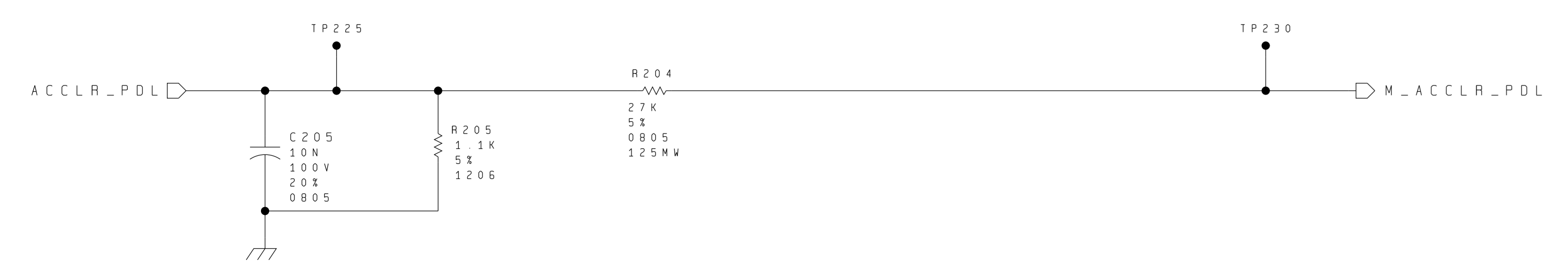
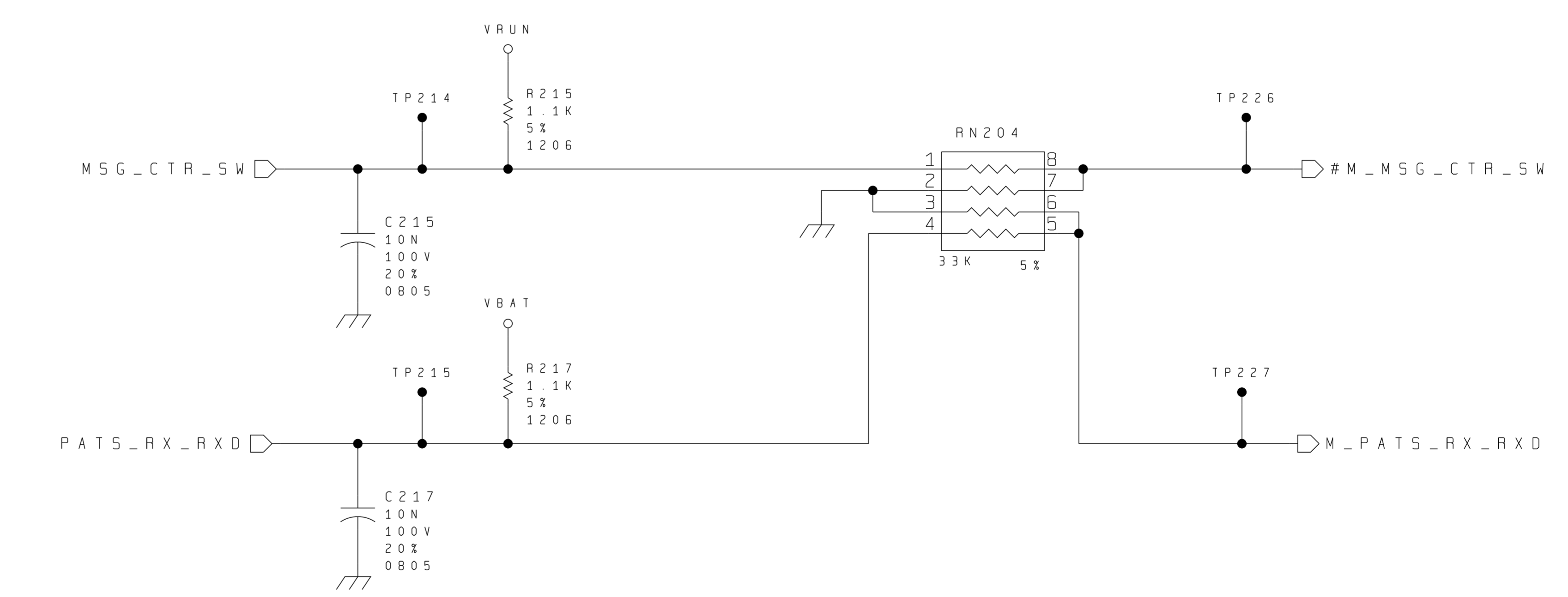
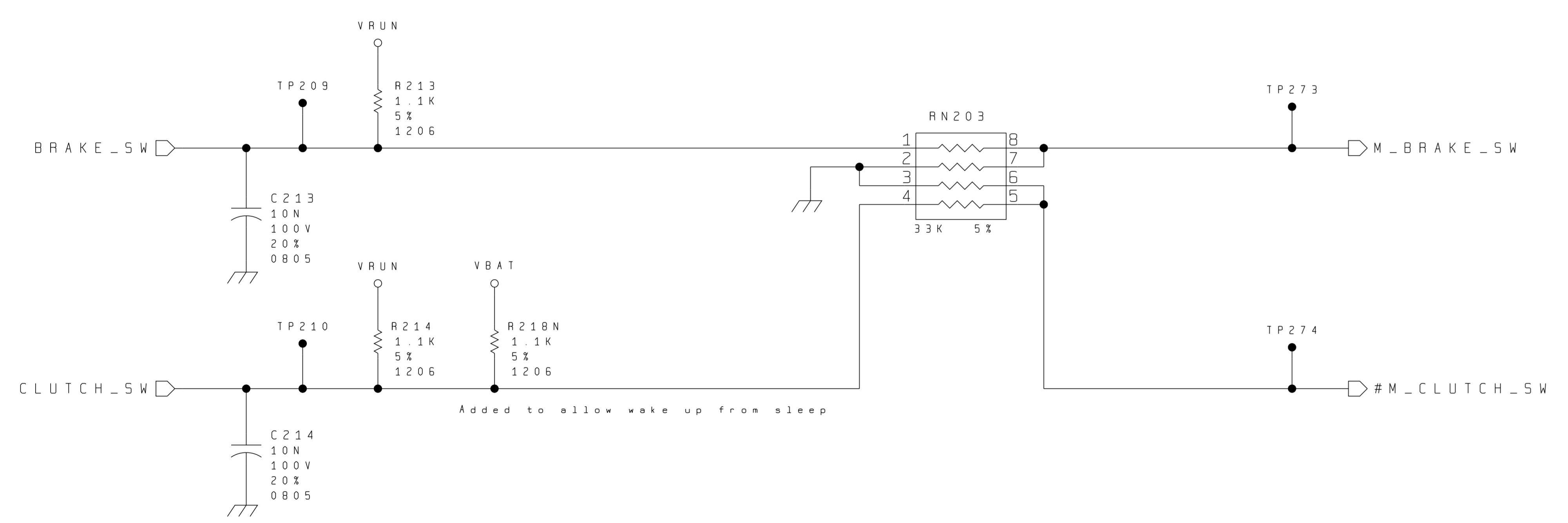
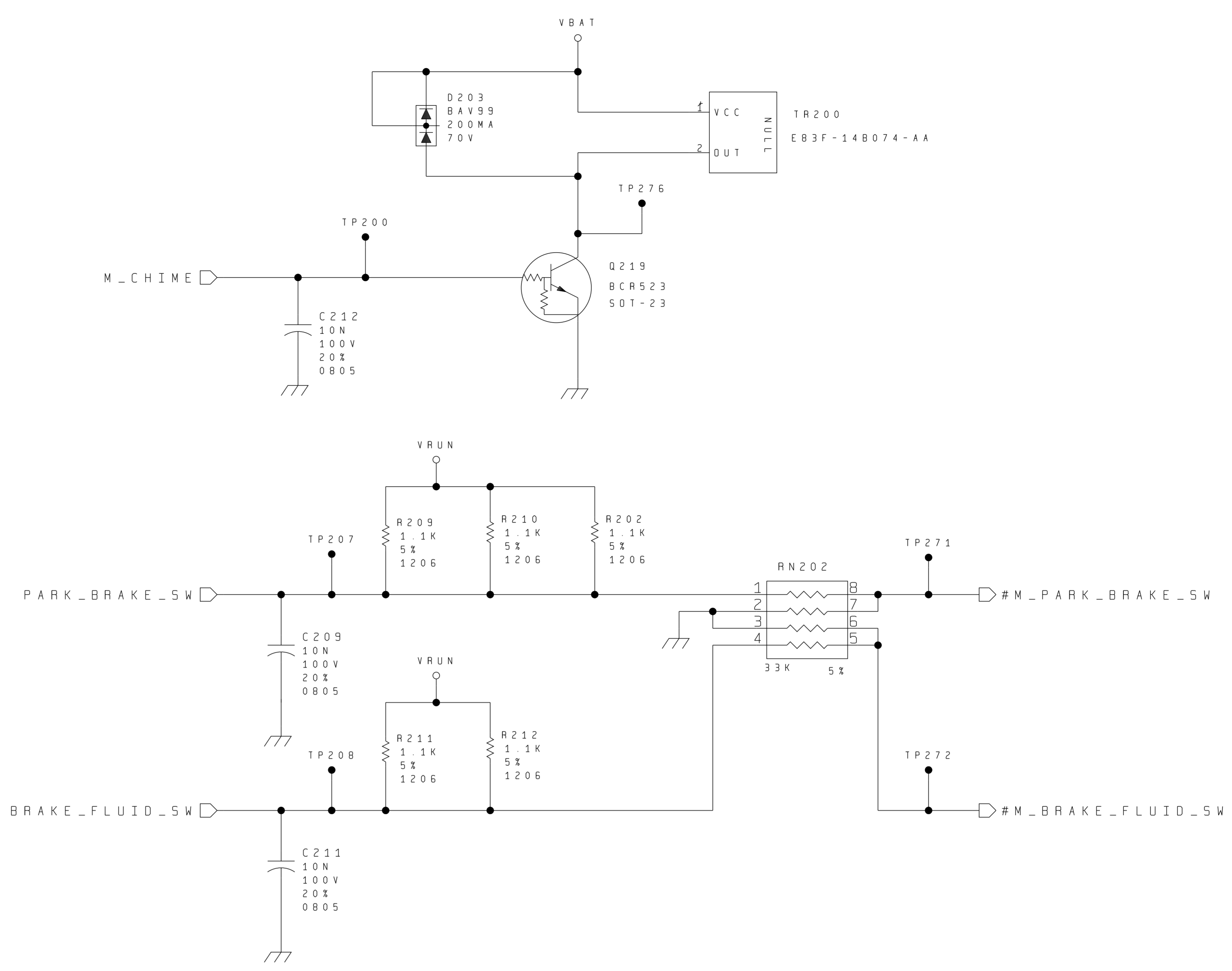
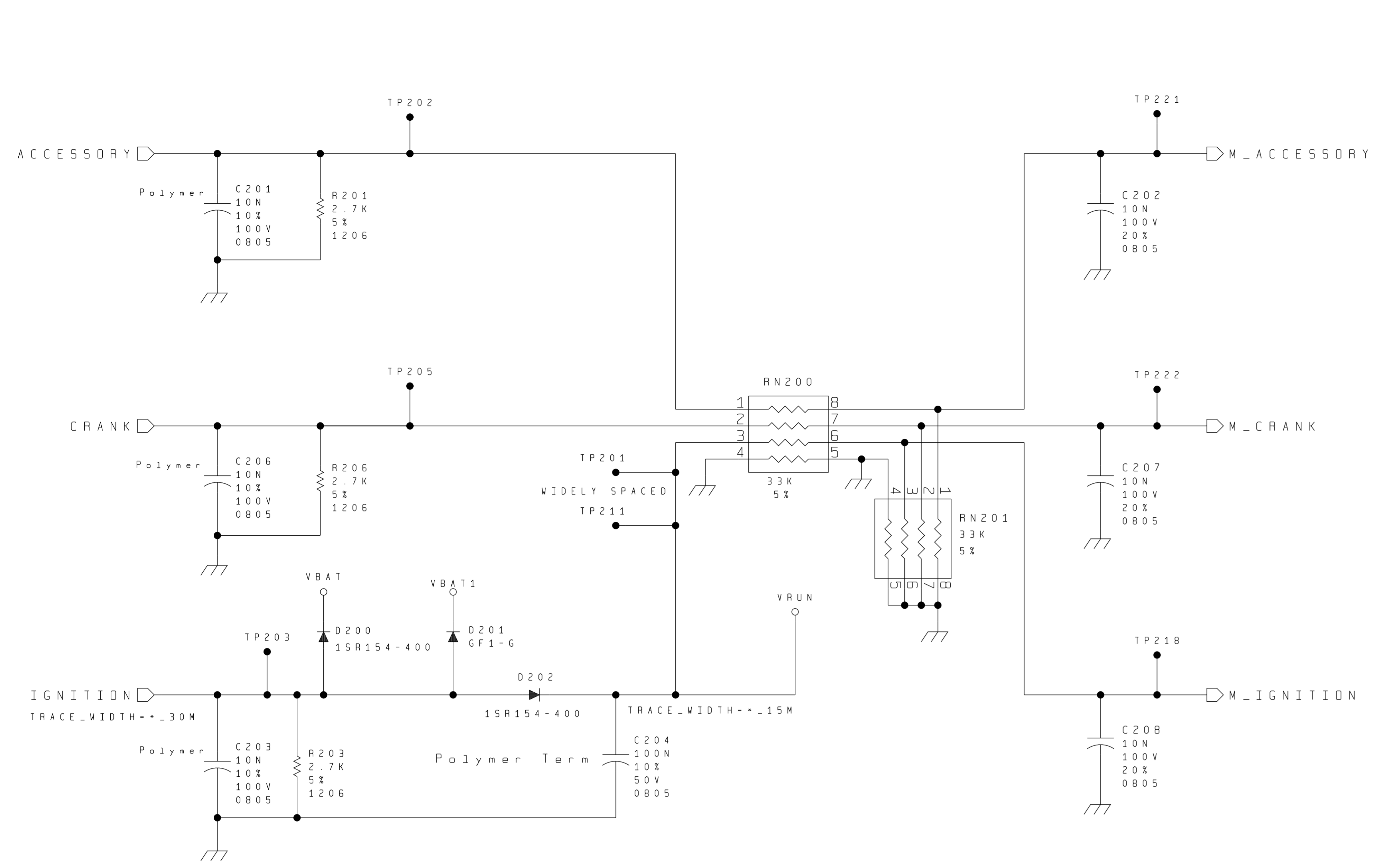
MATERIAL: APP

DATE: 131006

NAME: SKETCH - WIRING DIAGRAM
 ILLUMINATION

NO. PWB14831_6

DATE	LET	REVISIONS	CC	MAN	CK	APP



PART MUST COMPLY WITH SPECIFICATION 455-WBP9999-A3 TO HELP SAFEGUARD HEALTH, SAFETY AND THE ENVIRONMENT

Visteon PRODUCT ENGINEERING

COMPUTER MANUAL "A0" SIZE

CC COLUMN - GRAPHIC DATA LEVEL ORIGINAL WHEN RED

REF	DATE	CHECKED	SCALE	APPROVED
B_MCKELLAR	09AUG06		NONE	

UNLESS OTHERWISE SPECIFIED:
 DIMENSIONS ARE IN: INCHES MILLIMETERS
 MACHINED DIM: +/- ANGULAR DIM: +/-

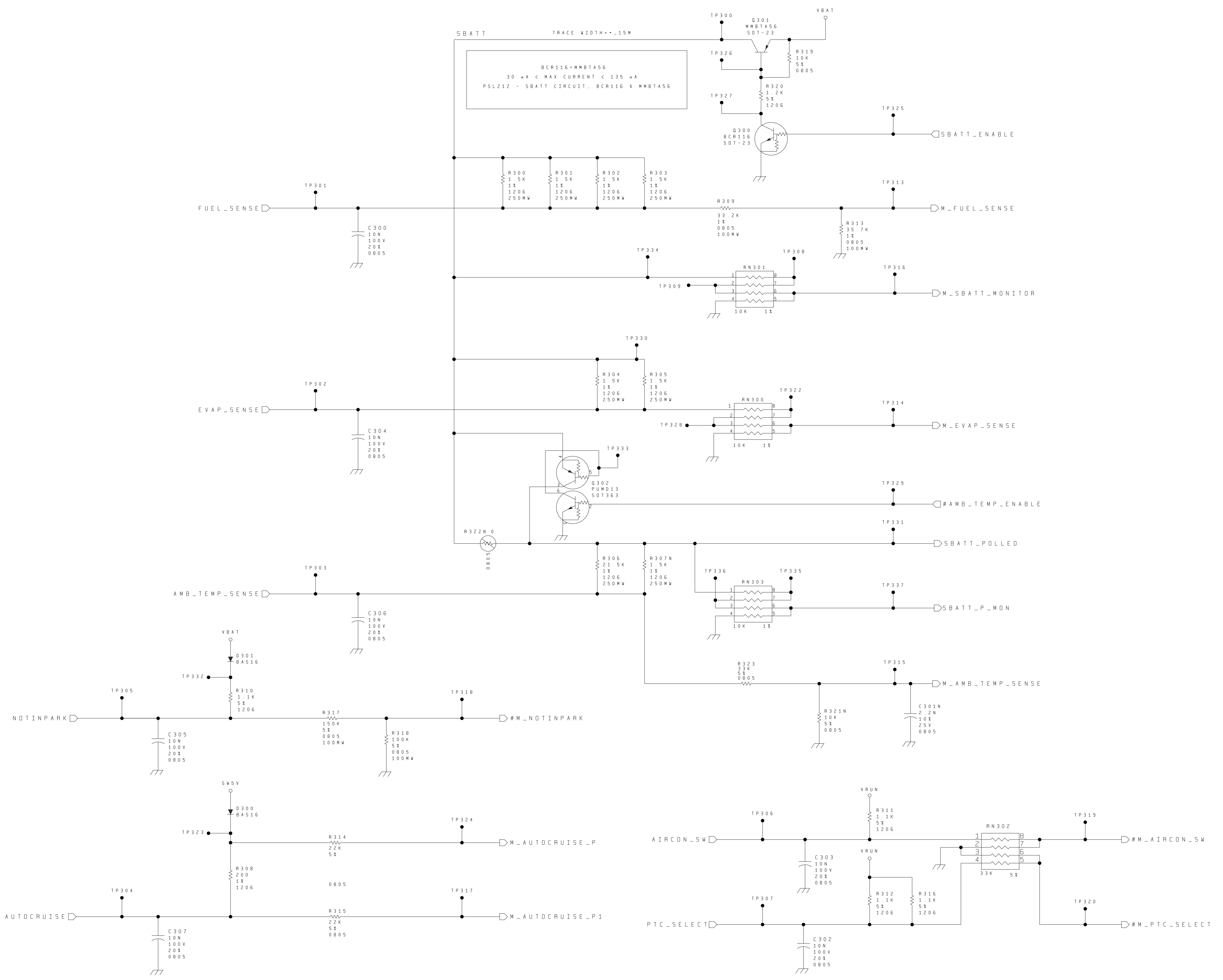
3RD ANGLE PROJECTION
 STAMPED DIM: +/-

MATERIAL: APP
 DATE: 090806

NAME: SKETCH - WIRING DIAGRAM
 INTERFACE
 NO. PWB14831_2

PWB14831 - SHT 2 - INTERFACE

DATE	LET	REVISIONS	CC	MAN	CK	APP



PART MUST COMPLY WITH SPECIFICATION 455-WBP9909-A3 TO HELP SAFEGUARD HEALTH, SAFETY AND THE ENVIRONMENT

Visteon PRODUCT ENGINEERING

COMPUTER MANUAL "A0" SIZE

CC COLUMN - GRAPHIC DATA LEVEL ORIGINAL WHEN RED

DATE	BY	CHKD	SCALE	APPROVED

UNLESS OTHERWISE SPECIFIED:
 DIMENSIONS ARE IN INCHES MILLIMETERS
 MACHINED DIM. +/- ANGULAR DIM. +/-

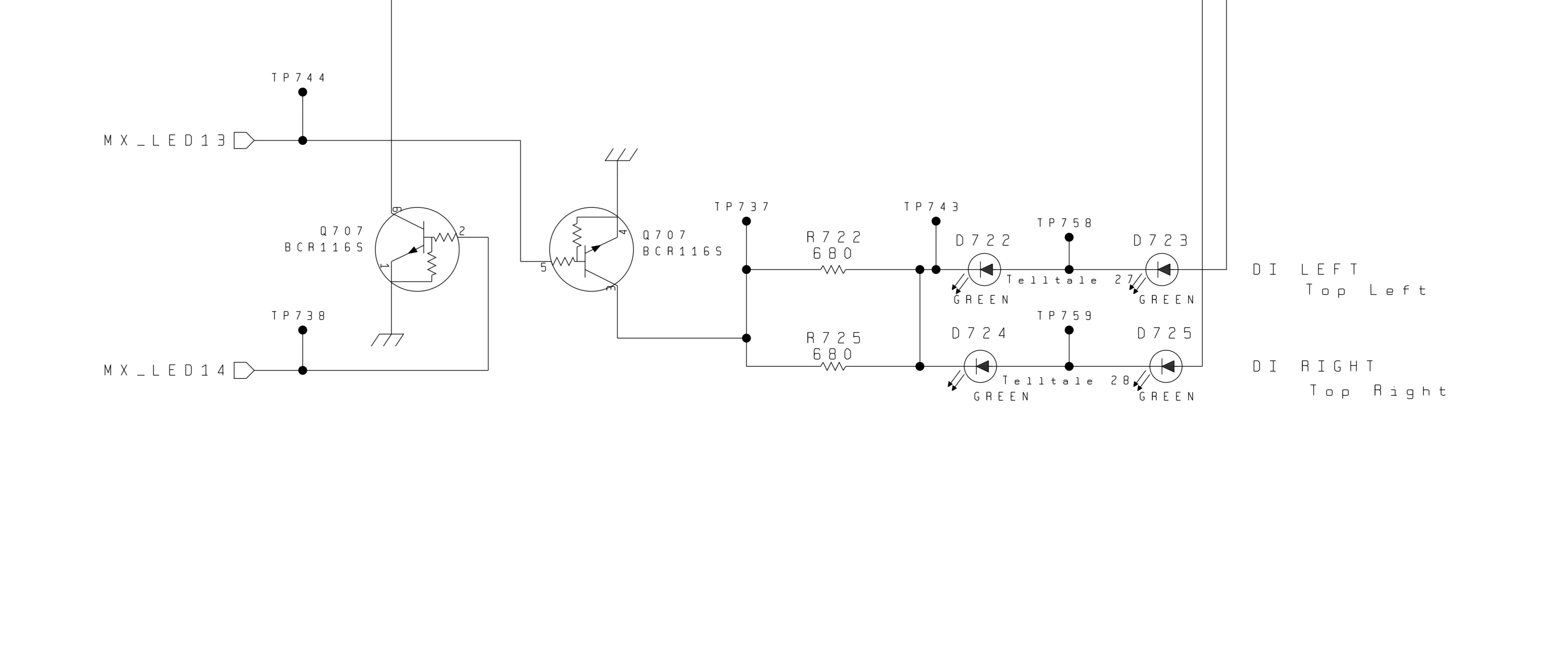
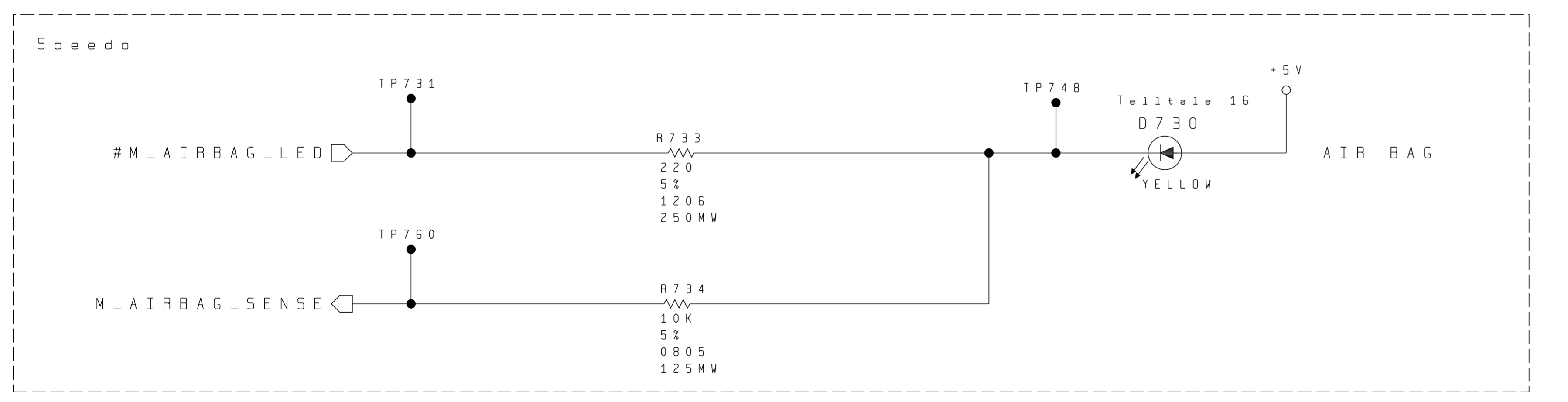
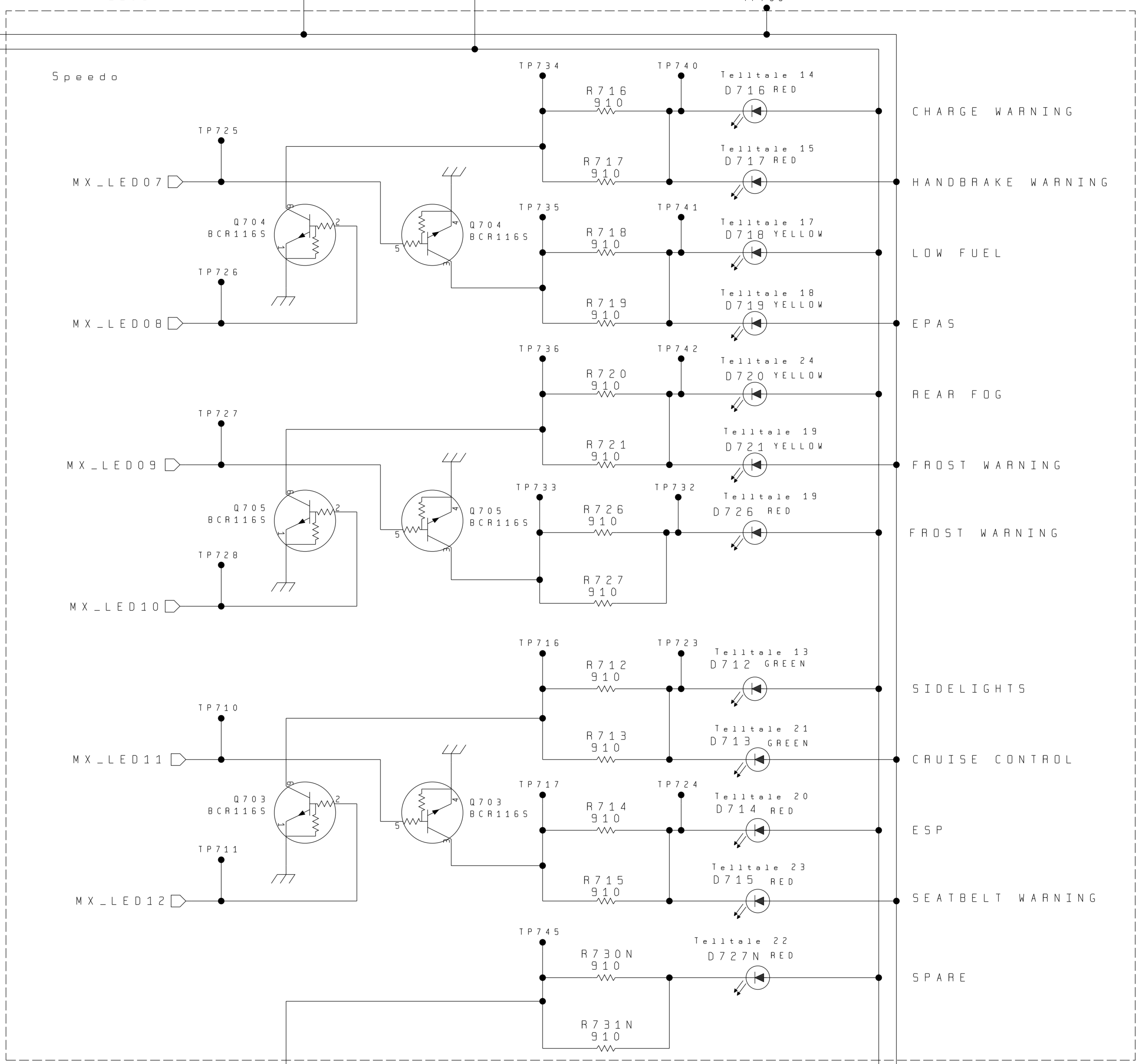
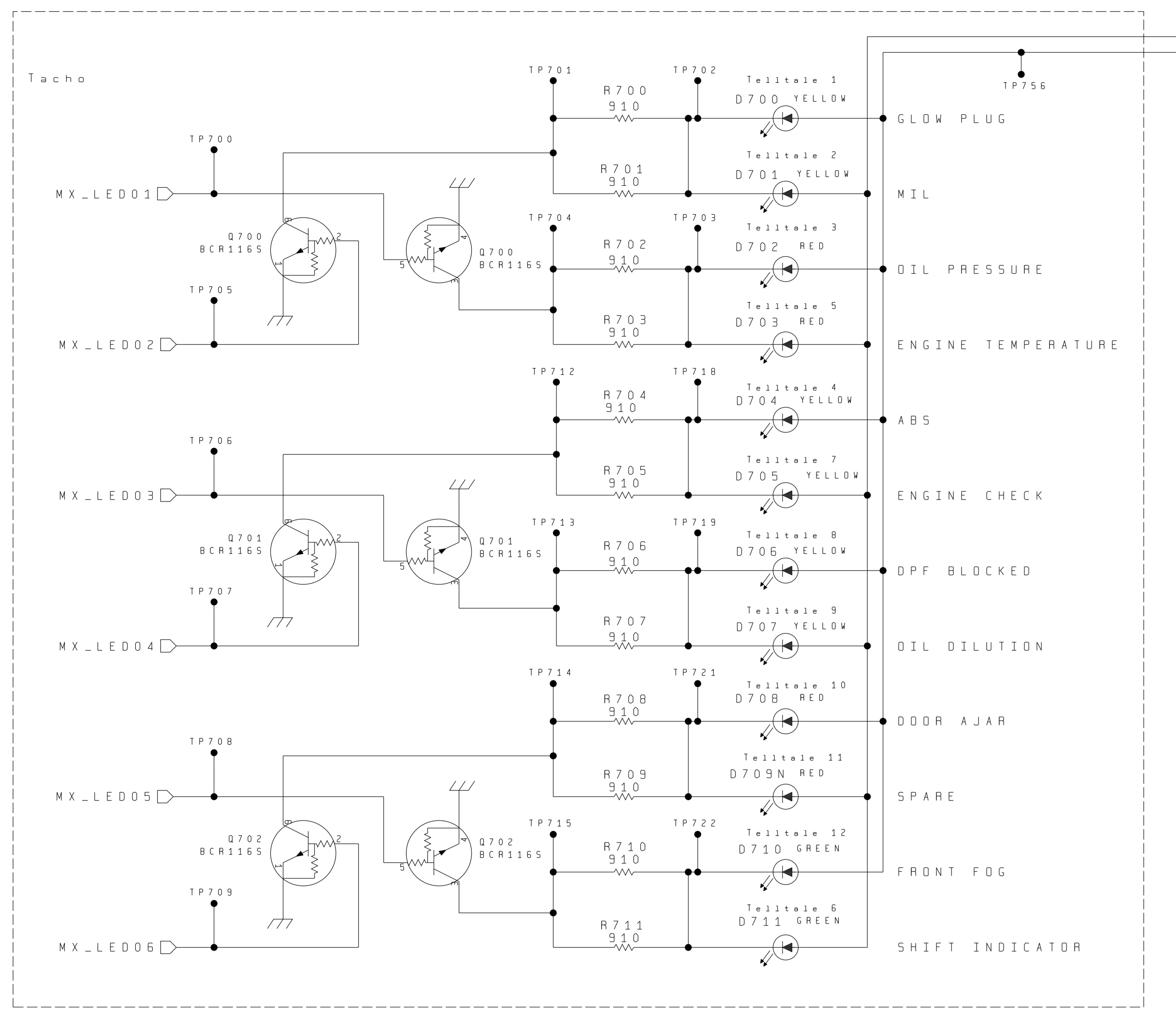
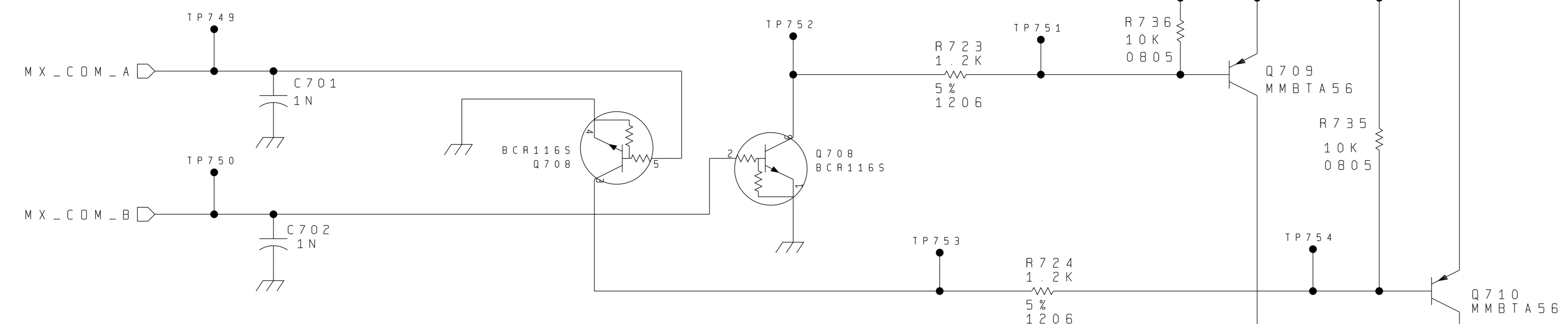
3RD ANGLE PROJECTION
 STAMPED DIM. +/-

MATERIAL: APP
 DATE: 090806

NAME: SKETCH - WIRING DIAGRAM
 INTERFACE
 NO. PWB14831_3
 PLANT CODE: CADIZ

PWB14831 - SHT3 - INTERFACE

NO.	DATE	LET	REVISIONS	CC	MAN	CK	APP



PART MUST COMPLY WITH SPECIFICATION 455-WSP9999-A3 TO HELP SAFEGUARD HEALTH, SAFETY AND THE ENVIRONMENT

Visteon PRODUCT ENGINEERING

COMPUTER MANUAL 'A0' SIZE

CC COLUMN - GRAPHIC DATA LEVEL ORIGINAL WHEN RED

DATE	DATE	CHECKED	SCALE	APPROVED
M. WEBB	110CT06		NONE	

UNLESS OTHERWISE SPECIFIED:
 DIMENSIONS ARE IN: INCHES MILLIMETERS
 MACHINED DIM. +/- ANGULAR DIM. +/-

3RD ANGLE PROJECTION
 STAMPED DIM. +/-

MATERIAL: APP
 DATE: 111006

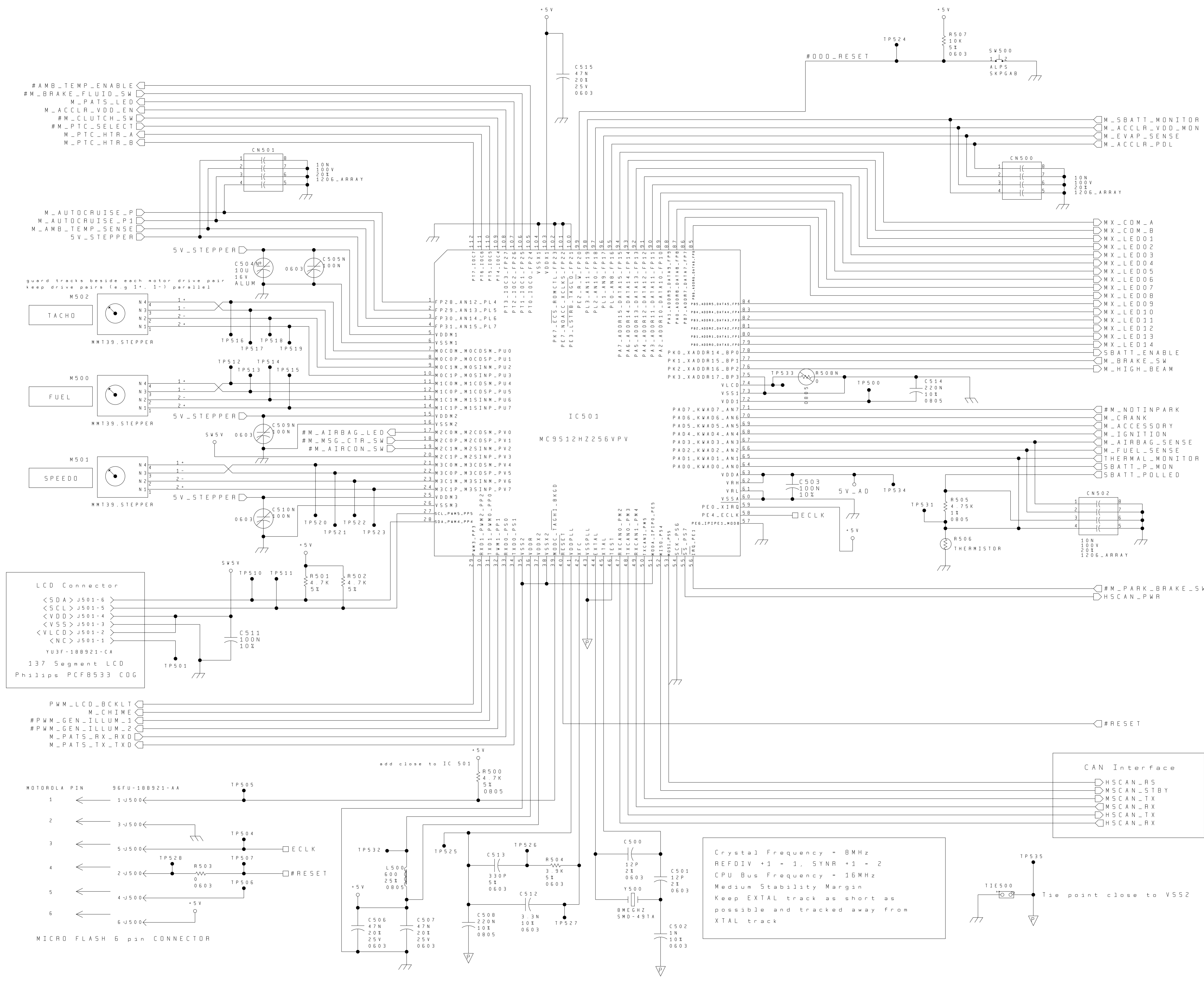
NAME: SKETCH - WIRING DIAGRAM
 TELLTALES

NO: PWB14831_7

PLANT CODE: CAD12

PWB14831 - SHT 7 - TELLTALES

DATE	LET	REVISIONS	CC	MAN	CK	APP



Crystal Frequency = 6MHz
 REFDIV +1 = 1, SYNCR +1 = 2
 CPU Bus Frequency = 16MHz
 Medium Stability Margin
 Keep XTAL track as short as possible and tracked away from XTAL track

PART MUST COMPLY WITH SPECIFICATION 455-WSP9399-A3 TO HELP SAFEGUARD HEALTH, SAFETY AND THE ENVIRONMENT

Visteon PRODUCT ENGINEERING

COMPUTER MANUAL "A0" SIZE

CC COLUMN - GRAPHIC DATA LEVEL ORIGINAL WHEN RED

REF	DATE	CHECKED	SCALE	APPROVED

UNLESS OTHERWISE SPECIFIED:
 DIMENSIONS ARE IN INCHES
 DIMENSIONS ARE IN MILLIMETERS
 3RD ANGLE PROJECTION
 ANGULAR DIM. +/-

MATERIAL: APP

DATE: 301006

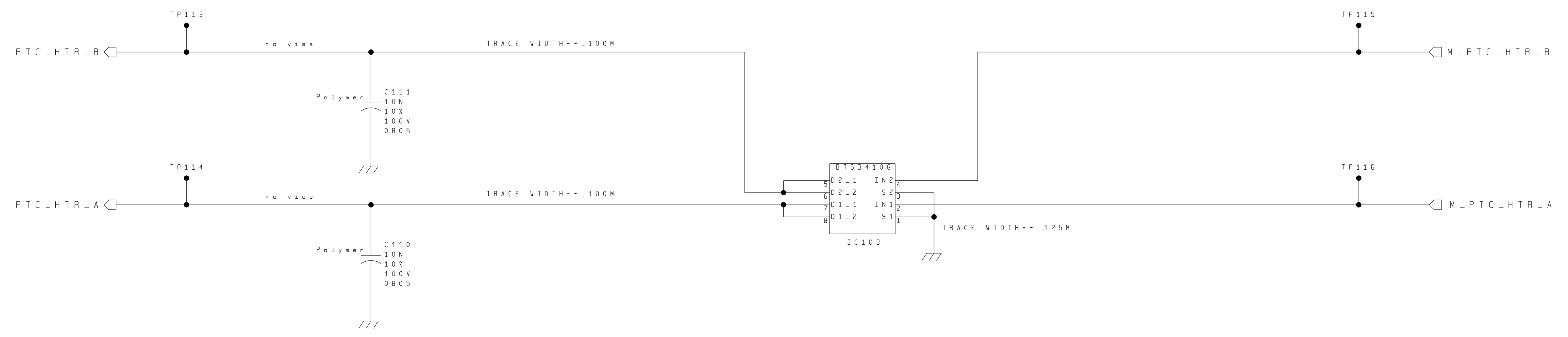
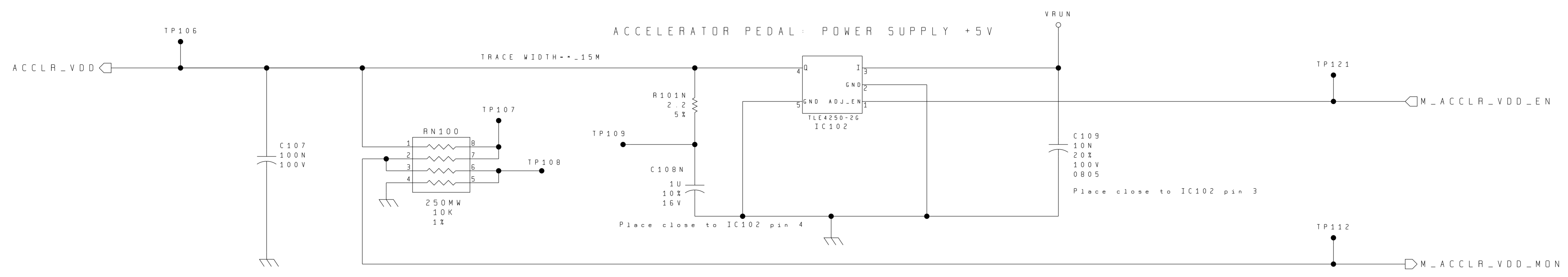
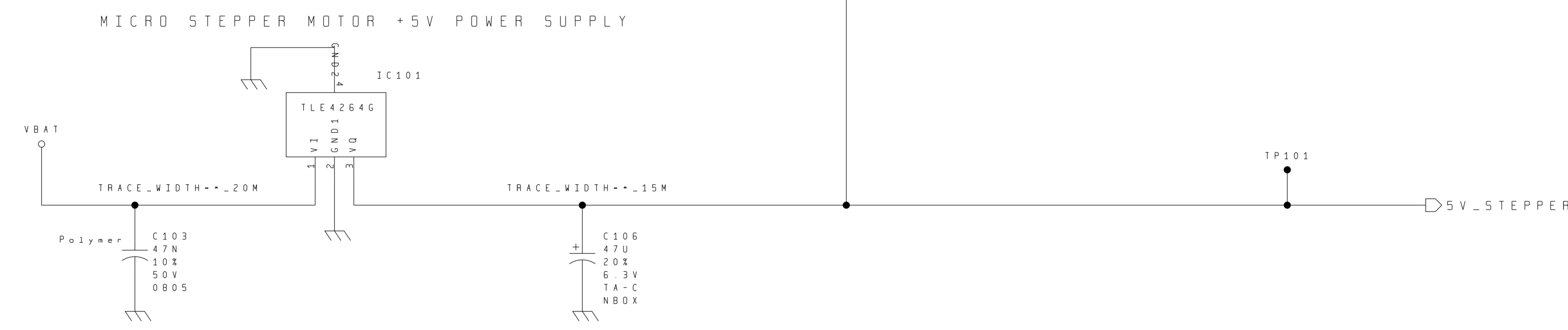
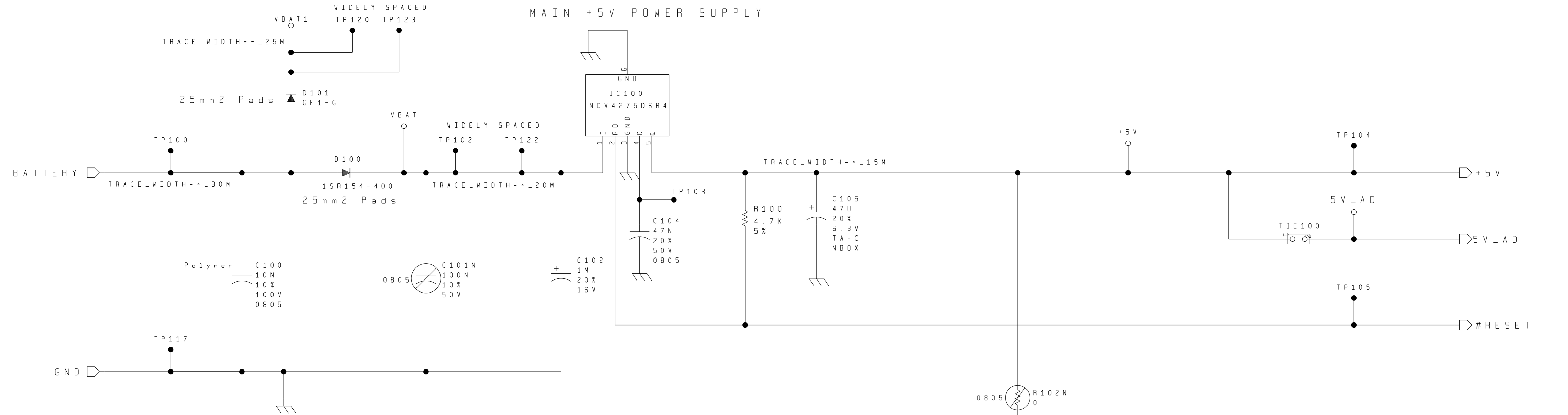
NAME: SKETCH - WIRING DIAGRAM
 MICRO

NO: PWB14831_5

PLANT CODE: CAD1Z

PWB14831 - SHT 5 - MICRO

DATE	LET	REVISIONS	CC	MAN	CK	APP



PWB14831 - SHT 1 - POWER SUPPLY

PART MUST COMPLY WITH SPECIFICATION 455-WBP9999-A3 TO HELP SAFEGUARD HEALTH, SAFETY AND THE ENVIRONMENT

Visteon PRODUCT ENGINEERING

COMPUTER MANUAL "A0" SIZE

CC COLUMN - GRAPHIC DATA LEVEL ORIGINAL WHEN RED

REF	DATE	CHECKED	SCALE	APPROVED
M. WEBB	240CT06		NONE	

UNLESS OTHERWISE SPECIFIED:
 DIMENSIONS ARE IN:
 INCHES MILLIMETERS

MACHINED DIM: +/-
 ANGULAR DIM: +/-

3RD ANGLE PROJECTION
 STAMPED DIM +/-

MATERIAL: APP
 DATE: 241006

NAME: SKETCH - WIRING DIAGRAM
 POWER SUPPLY

NO. PWB14831_1

PLANT CODE: CAD12