



## Serial Access Real-Time Clock

PRELIMINARY DATA

### FEATURES SUMMARY

- TIMEKEEPING DOWN TO 1.0V
- 1.3V TO 3.6V I<sup>2</sup>C BUS OPERATING VOLTAGE
- COUNTERS FOR SECONDS, MINUTES, HOURS, DAY, DATE, MONTH, YEARS, AND CENTURY
- SERIAL INTERFACE SUPPORTS I<sup>2</sup>C BUS (400KHz)
- SOFTWARE CLOCK CALIBRATION
- LOW OPERATING CURRENT OF 350μA
- OSCILLATOR STOP DETECTION
- AUTOMATIC LEAP YEAR COMPENSATION
- SOFTWARE PROGRAMMABLE OUTPUT (OUT)
- OPERATING TEMPERATURE OF -40 TO 85°C
- LEAD-FREE 16-PIN QFN

Figure 1. Package

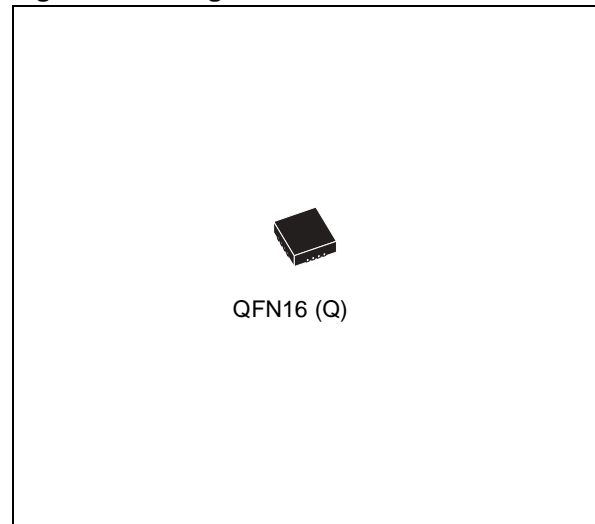
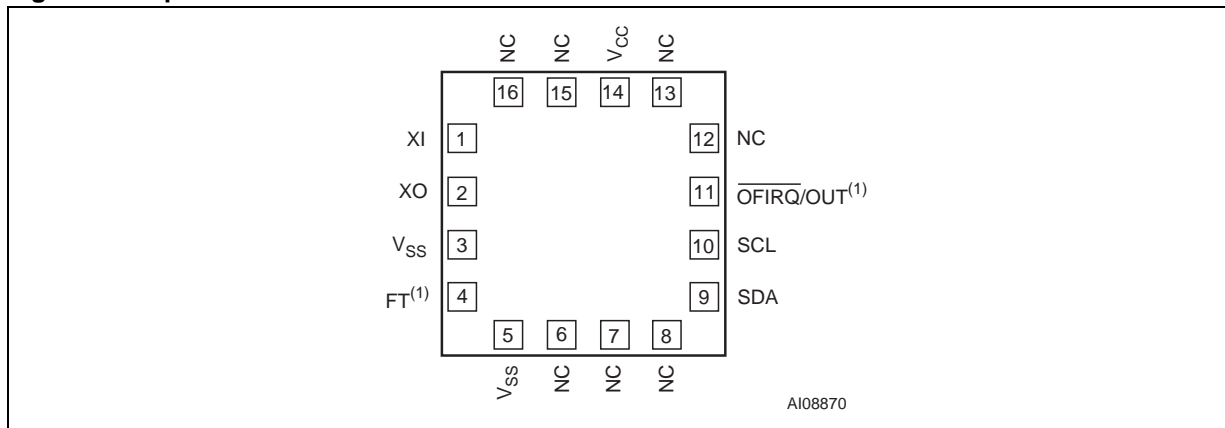


Figure 2. 16-pin QFN Connections



Note: 1. Open Drain Output only.

## TABLE OF CONTENTS

<b>FEATURES SUMMARY</b> .....	<b>1</b>
Figure 1. Package .....	1
Figure 2. 16-pin QFN Connections .....	1
<b>SUMMARY DESCRIPTION</b> .....	<b>4</b>
Figure 3. Logic Diagram .....	4
Table 1. Signal Names .....	4
Figure 4. Block Diagram .....	5
<b>OPERATION</b> .....	<b>6</b>
<b>2-Wire Bus Characteristics</b> .....	<b>6</b>
Bus not busy .....	6
Start data transfer .....	6
Stop data transfer .....	6
Data valid .....	6
Acknowledge .....	6
Figure 5. Serial Bus Data Transfer Sequence .....	7
Figure 6. Acknowledgement Sequence .....	7
<b>READ Mode</b> .....	<b>8</b>
<b>WRITE Mode</b> .....	<b>8</b>
Figure 7. Slave Address Location .....	8
Figure 8. READ Mode Sequence .....	9
Figure 9. Alternate READ Mode Sequence .....	9
Figure 10. WRITE Mode Sequence .....	9
<b>CLOCK OPERATION</b> .....	<b>10</b>
<b>Calibrating the Clock</b> .....	<b>10</b>
Table 2. Register Map .....	11
Figure 11. Crystal Accuracy Across Temperature .....	12
Figure 12. Calibration Waveform .....	12
<b>Century Bits</b> .....	<b>13</b>
<b>Output Driver Pin</b> .....	<b>13</b>
<b>Oscillator Stop Detection</b> .....	<b>13</b>
<b>Initial Power-on Defaults</b> .....	<b>13</b>
Table 3. Century Bits Examples .....	13
<b>MAXIMUM RATING</b> .....	<b>14</b>
Table 4. Absolute Maximum Ratings .....	14
<b>DC AND AC PARAMETERS</b> .....	<b>15</b>
Table 5. Operating and AC Measurement Conditions .....	15
Figure 13. AC Testing Input/Output Waveform .....	15
Figure 14. Crystal Isolation Example .....	15

---

Table 6. Capacitance . . . . .	15
Table 7. DC Characteristics . . . . .	16
Table 8. Crystal Electrical Characteristics . . . . .	16
Figure 15. Bus Timing Requirements Sequence . . . . .	17
Table 9. AC Characteristics . . . . .	17
<b>PACKAGE MECHANICAL INFORMATION . . . . .</b>	<b>18</b>
Figure 16. QFN16 – 16-lead, Quad, Flat Package, No Lead, 3x3mm body size, Outline . . . . .	18
Table 10. QFN16 – 16-lead, Quad, Flat Package, No Lead, 3x3mm body size, Mechanical Data .	19
Figure 17. QFN16 – 16-lead, Quad, Flat Package, No Lead, 3x3mm body size, Footprint . . . . .	19
<b>PART NUMBERING . . . . .</b>	<b>20</b>
Table 11. Ordering Information Scheme . . . . .	20
<b>REVISION HISTORY . . . . .</b>	<b>21</b>
Table 12. Document Revision History . . . . .	21

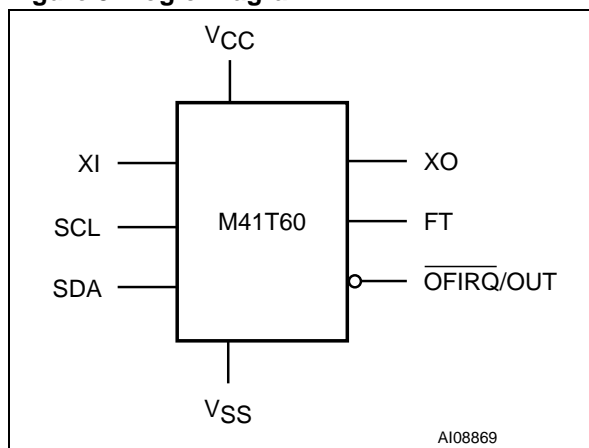
**SUMMARY DESCRIPTION**

The M41T60 Serial Access TIMEKEEPER® is a low power Serial RTC with a built-in 32.768KHz oscillator (external crystal controlled). Eight registers are used for the clock/calendar function and are configured in binary coded decimal (BCD) format. Addresses and data are transferred serially via a two-line bi-directional bus. The built-in address register is incremented automatically after each WRITE or READ data byte.

The eight clock address locations contain the century, year, month, date, day, hour, minute, and second; in 24-hour BCD format. Corrections for 28-, 29- (leap year), 30-, and 31-day months are made automatically.

The M41T60 is supplied in 16-lead QFN package.

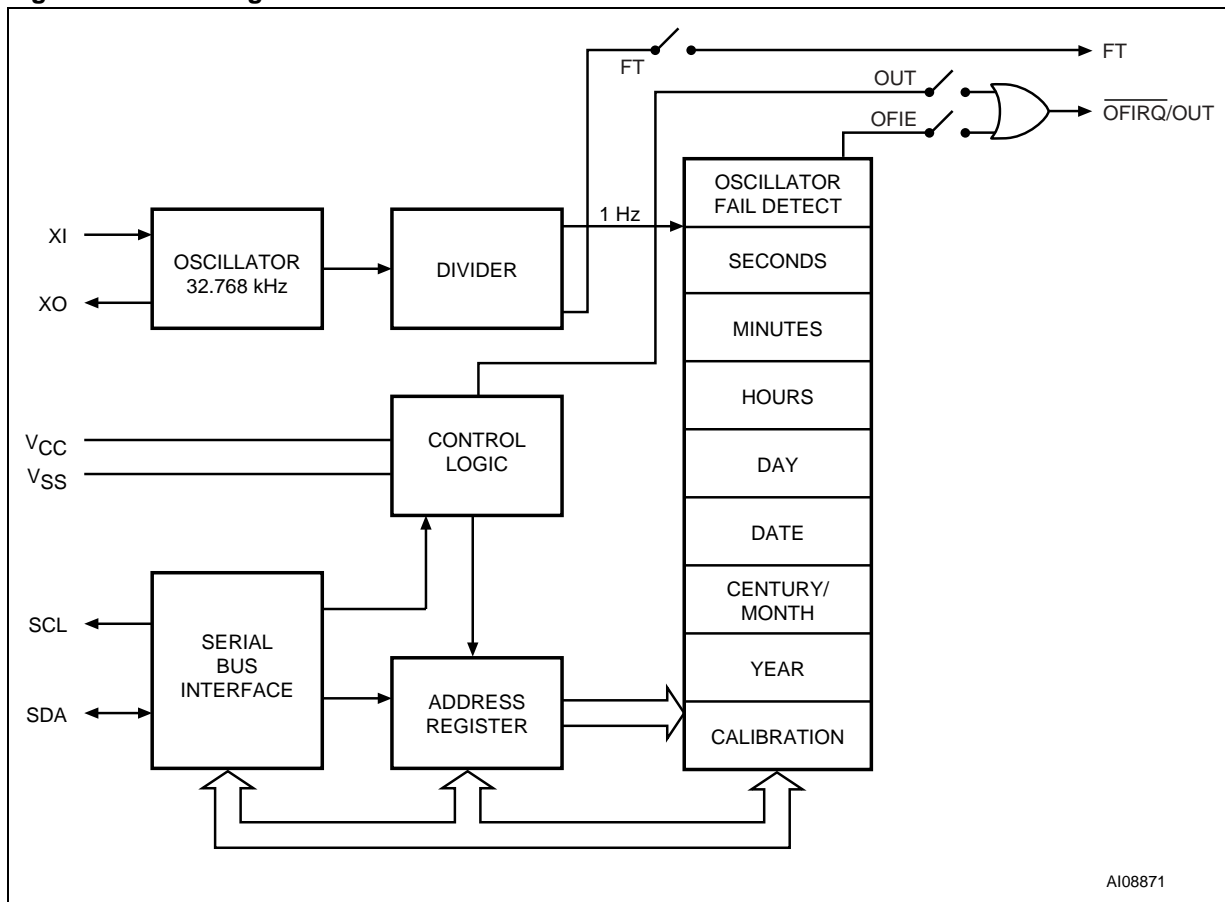
**Figure 3. Logic Diagram**



**Table 1. Signal Names**

XI	Oscillator Input
XO	Oscillator Output
FT	Frequency Test Output (Open Drain)
SDA	Serial Data Address Input / Output
SCL	Serial Clock
$\overline{\text{OFIRQ/OUT}}$	Oscillator Fail Interrupt/OUT Output (Open Drain)
VCC	Supply Voltage
VSS	Ground

Figure 4. Block Diagram



### OPERATION

The M41T60 clock operates as a slave device on the serial bus. Access is obtained by implementing a start condition followed by the correct slave address (D0h). The 8 bytes contained in the device can then be accessed sequentially in the following order:

1. Seconds Register
2. Minutes Register
3. Hours Register
4. Day Register
5. Date Register
6. Century/Month Register
7. Years Register
8. Calibration Register

#### 2-Wire Bus Characteristics

This bus is intended for communication between different ICs. It consists of two lines: one bi-directional for data signals (SDA) and one for clock signals (SCL). Both the SDA and the SCL lines must be connected to a positive supply voltage via a pull-up resistor.

The following protocol has been defined:

- Data transfer may be initiated only when the bus is not busy.
- During data transfer, the data line must remain stable whenever the clock line is High. Changes in the data line while the clock line is High will be interpreted as control signals.

Accordingly, the following bus conditions have been defined:

**Bus not busy.** Both data and clock lines remain High.

**Start data transfer.** A change in the state of the data line, from High to Low, while the clock is High, defines the START condition.

**Stop data transfer.** A change in the state of the data line, from Low to High, while the clock is High, defines the STOP condition.

**Data valid.** The state of the data line represents valid data when after a start condition, the data line is stable for the duration of the High period of the clock signal. The data on the line may be changed during the Low period of the clock signal. There is one clock pulse per bit of data.

Each data transfer is initiated with a start condition and terminated with a stop condition. The number of data bytes transferred between the start and stop conditions is not limited. The information is transmitted byte-wide and each receiver acknowledges with a ninth bit.

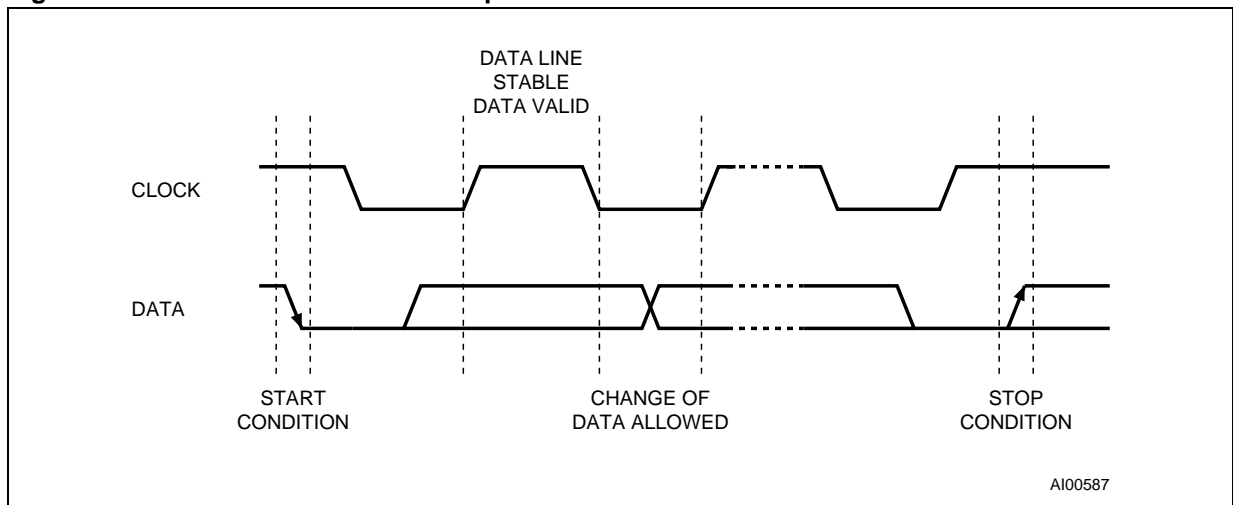
By definition, a device that gives out a message is called “transmitter”, the receiving device that gets the message is called “receiver”. The device that controls the message is called “master”. The devices that are controlled by the master are called “slaves”.

**Acknowledge.** Each byte of eight bits is followed by one Acknowledge Bit. This Acknowledge Bit is a low level put on the bus by the receiver, whereas the master generates an extra acknowledge related clock pulse.

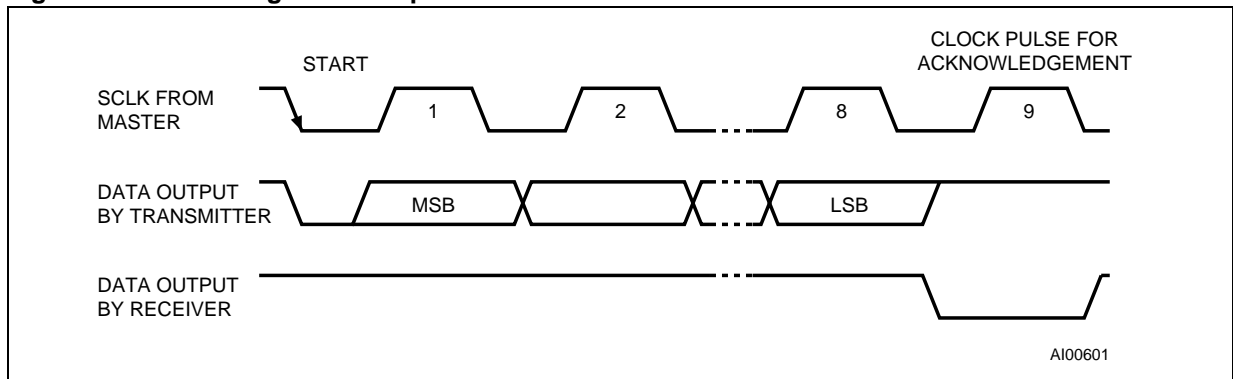
A slave receiver which is addressed is obliged to generate an acknowledge after the reception of each byte. Also, a master receiver must generate an acknowledge after the reception of each byte that has been clocked out of the slave transmitter.

The device that acknowledges has to pull down the SDA line during the acknowledge clock pulse in such a way that the SDA line is a stable Low during the High period of the acknowledge related clock pulse. Of course, setup and hold times must be taken into account. A master receiver must signal an end-of-data to the slave transmitter by not generating an acknowledge on the last byte that has been clocked out of the slave. In this case, the transmitter must leave the data line High to enable the master to generate the STOP condition.

**Figure 5. Serial Bus Data Transfer Sequence**



**Figure 6. Acknowledgement Sequence**



**READ Mode**

In this mode, the master reads the M41T60 slave after setting the slave address (see Figure 7). Following the WRITE Mode Control Bit ( $R/\bar{W} = 0$ ) and the Acknowledge Bit, the word address  $A_n$  is written to the on-chip address pointer. Next the START condition and slave address are repeated, followed by the READ Mode Control Bit ( $R/\bar{W} = 1$ ). At this point, the master transmitter becomes the master receiver. The data byte which was addressed will be transmitted and the master receiver will send an Acknowledge Bit to the slave transmitter. The address pointer is only incremented on reception of an Acknowledge Bit. The M41T60 slave transmitter will now place the data byte at address  $A_{n+1}$  on the bus. The master receiver reads and acknowledges the new byte and the address pointer is incremented to  $A_{n+2}$ .

This cycle of reading consecutive addresses will continue until the master receiver sends a STOP condition to the slave transmitter.

The system-to-user transfer of clock data will be halted whenever the address being read is a clock address (0h to 6h). The update will resume due to

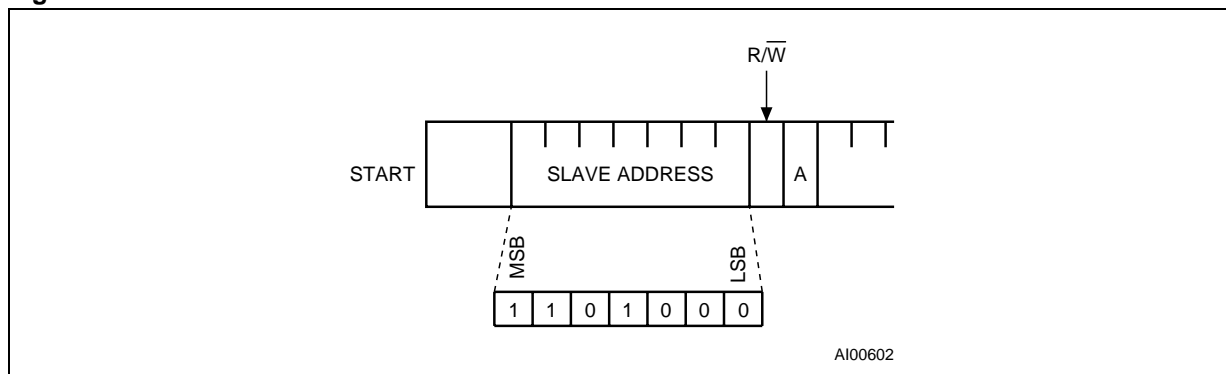
a Stop Condition or when the pointer increments to any non-clock address (7h).

An alternate READ Mode may also be implemented, whereby the master reads the M41T60 slave without first writing to the (volatile) address pointer. The first address that is read is the last one stored in the pointer (see Figure 9., page 9).

**WRITE Mode**

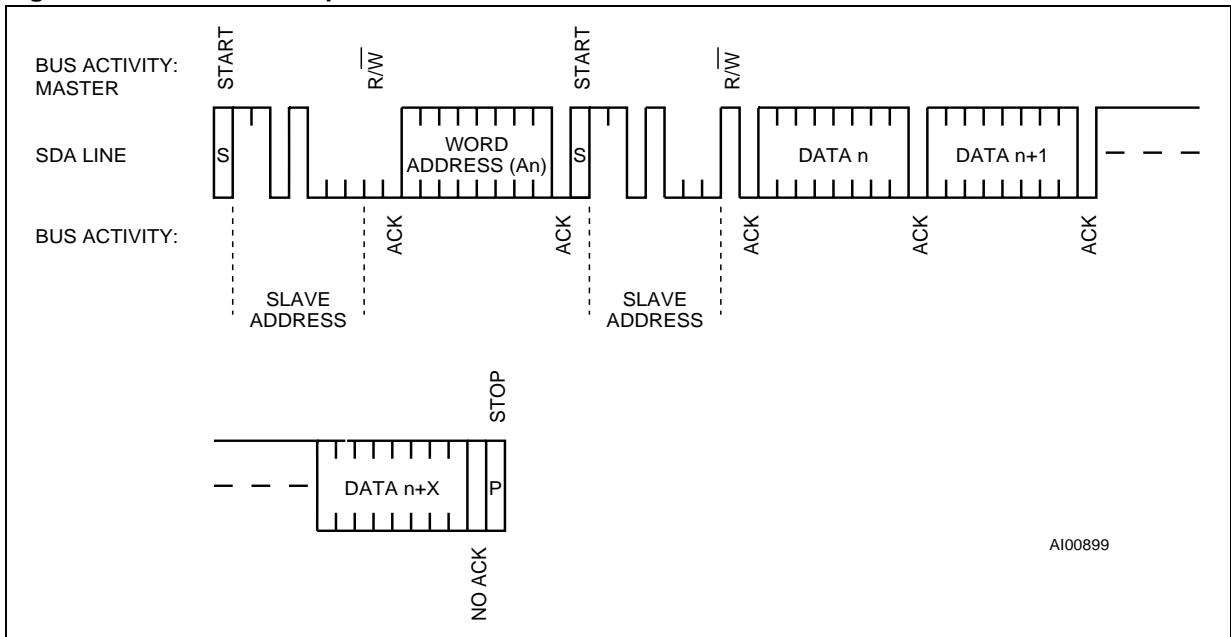
In this mode the master transmitter transmits to the M41T60 slave receiver. Bus protocol is shown in Figure 10., page 9. Following the START condition and slave address, a logic '0' ( $R/\bar{W} = 0$ ) is placed on the bus and indicates to the addressed device that word address  $A_n$  will follow and is to be written to the on-chip address pointer. The data word to be written to the memory is strobed in next and the internal address pointer is incremented to the next address location on the reception of an acknowledge clock. The M41T60 slave receiver will send an acknowledge clock to the master transmitter after it has received the slave address and again after it has received the word address and each data byte (see Figure 7).

**Figure 7. Slave Address Location**

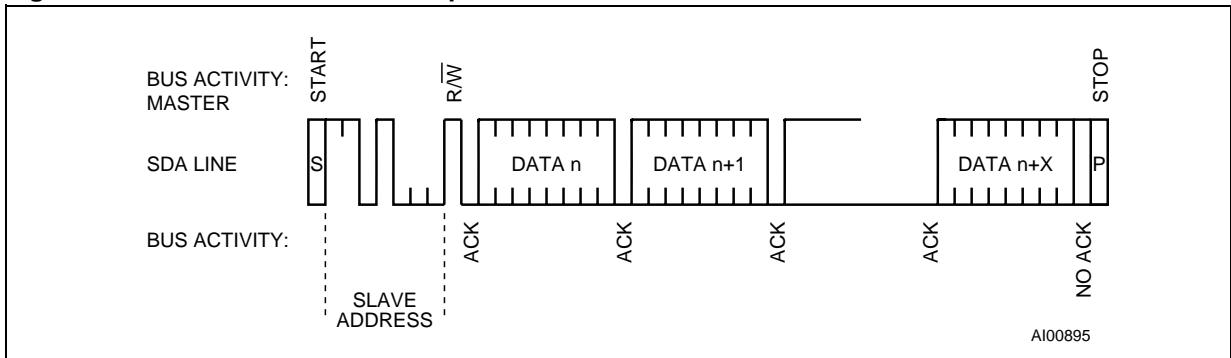




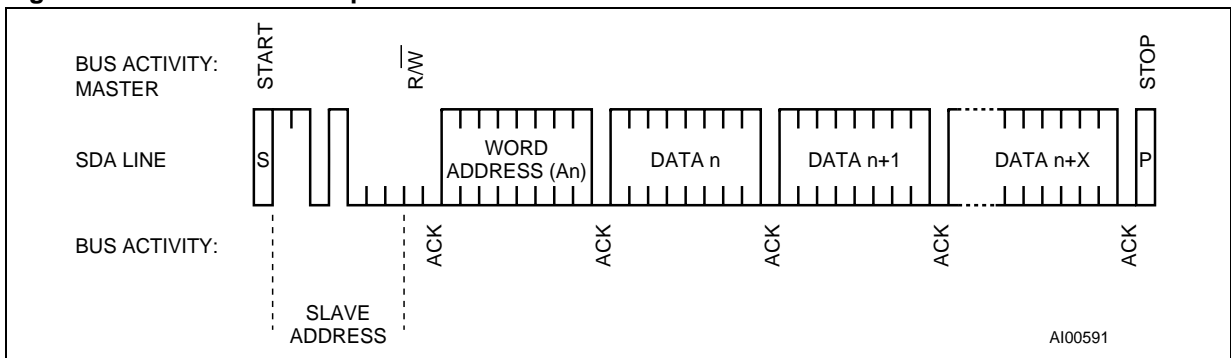
**Figure 8. READ Mode Sequence**



**Figure 9. Alternate READ Mode Sequence**



**Figure 10. WRITE Mode Sequence**



## CLOCK OPERATION

The M41T60 is driven by a quartz-controlled oscillator with a nominal frequency of 32.768KHz. The accuracy of the Real-Time Clock depends on the frequency of the quartz crystal that is used as the time-base for the RTC. The M41T60 is tested to meet  $\pm 35$  ppm with a nominal crystal. The eight-byte Clock Register (see Table 2., page 11) is used to both set the clock and to read the date and time from the clock, in a binary coded decimal format. Seconds, Minutes, and Hours are contained within the first three registers.

Bits D6 and D7 of Clock Register 05h (Century/Month Register) contain the CENTURY Bit 0 (CB0) and the CENTURY Bit 1 (CB1). See Table 3., page 13 for additional explanation. Bits D0 through D2 of Register 03h contain the Day (day of the week). Registers 04h, 05h, and 06h contain the Date (day of the month), Century/Month, and Years. The eighth clock register is the Calibration Register (this is described in the Clock Calibration section). Bit D7 of Register 00h contains the STOP Bit (ST). Setting this bit to a '1' will cause the oscillator to stop. When reset to a '0,' the oscillator restarts within one second (typical).

**Note:** Upon initial power-up, the user should set the ST Bit to a '1,' then immediately reset the ST Bit to '0.' This provides an additional "kick-start" to the oscillator circuit.

Bit D7 of Register 01h contains the Oscillator Fail Interrupt Enable Bit (OFIE - see the description in the Oscillator Fail Detection section).

**Note:** A WRITE to ANY location within the first seven bytes of the clock register (0h-6h), including the OFIE and ST Bit, will result in an update of the system clock and a reset of the divider chain. This could result in an inadvertent change of the current time. These non-clock related bits should be written prior to setting the clock, and remain unchanged until such time as a new clock time is also written.

The seven Clock Registers may be read one byte at a time, or in a sequential block. The Calibration Register (Address location 7h) may be accessed independently. Provision has been made to ensure that a clock update does not occur while any of the clock addresses are being read. If a clock address is being read, an update of the clock registers will be halted. This will prevent a transition of data during the READ.

### Calibrating the Clock

The M41T60 is driven by a quartz-controlled oscillator with a nominal frequency of 32,768Hz. The devices are tested not to exceed  $\pm 35$  ppm (parts per million) oscillator frequency error at 25°C, with

a nominal crystal (see Note 1 of Table 8., page 16). When the Calibration circuit is properly employed, accuracy improves to better than  $\pm 2$  ppm at 25°C.

The oscillation rate of crystals changes with temperature (see Figure 11., page 12). The M41T60 design employs periodic counter correction. The calibration circuit adds or subtracts counts from the oscillator divider circuit at the divide by 256 stage, as shown in Figure 12., page 12. The number of times pulses are blanked (subtracted, negative calibration) or split (added, positive calibration) depends upon the value loaded into the five Calibration Bits found in the Calibration Register. Adding counts speeds the clock up, subtracting counts slows the clock down. The Calibration Bits occupy the five lower-order bits (D4-D0) in the Calibration Register 07h. These bits can be set to represent any value between 0 and 31 in binary format. Bit D5 is a Sign Bit; '1' indicates positive calibration, '0' indicates negative calibration.

Calibration occurs within a 64-minute cycle. The first 62 minutes in the cycle may, once per minute, have one second either shortened by 128 or lengthened by 256 oscillator cycles. If a binary '1' is loaded into the register, only the first 2 minutes in the 64-minute cycle will be modified; if a binary 6 is loaded, the first 12 will be affected, and so on. Therefore, each calibration step has the effect of adding 512 or subtracting 256 oscillator cycles for every 125,829,120 actual oscillator cycles. That is, +4.068 or -2.034 ppm of adjustment per calibration step in the calibration register. Assuming that the oscillator is running at exactly 32,768Hz, each of the 31 increments in the Calibration byte would represent +10.7 or -5.35 seconds per day which corresponds to a total range of +5.5 or -2.75 minutes per month.

Two methods are available for ascertaining how much calibration a given M41T60 may require:

- The first involves setting the clock, letting it run for a month and comparing it to a known accurate reference and recording deviation over a fixed period of time. Calibration values, including the number of seconds lost or gained in a given period, can be found in Application Note 934, "TIMEKEEPER® CALIBRATION." This allows the designer to give the end user the ability to calibrate the clock as the environment requires, even if the final product is packaged in a non-user serviceable enclosure. The designer could provide a simple utility that accesses the Calibration byte.

- The second approach is better suited to a manufacturing environment, and involves the use of the Frequency Test (FT) pin. The FT pin will toggle at 512Hz when the ST Bit is set to '0,' and the OUT Bit and FT Bit are set to '1.' Any measured deviation from the 512Hz frequency indicates the degree and direction of oscillator frequency shift at the test temperature. For example, a reading of 512.010124Hz would indicate a +20 ppm

oscillator frequency error, requiring a –10 (XX001010) to be loaded into the Calibration Byte for correction.

**Note:** Setting or changing the Calibration Byte does not affect the Frequency Test output frequency. the FT pin is an open drain pin which requires a pull-up resistor to V<sub>CC</sub> for proper operation. A 500-10k resistor is recommended in order to control the rise time.

**Table 2. Register Map**

Address	Data								Function/Range BCD Format	
	D7	D6	D5	D4	D3	D2	D1	D0		
0	ST	10 Seconds			Seconds				Seconds	00-59
1	OFIE	10 Minutes			Minutes				Minutes	00-59
2	0	0	10 Hours		Hours				Hours	00-23
3	0	0	0	0	0	Day			Day	01-07
4	0	0	10 Date		Date				Date	01-31
5	CB1	CB0	0	10 M.	Month				Century/Month	0-3/01-12
6	10 Years			Years				Year	00-99	
7	OUT	FT	S	Calibration				Calibration		

Keys: 0 = Must be set to '0.'

CB0, CB1 = Century Bits

FT = Frequency Test Bits

OFIE = Oscillator Fail Interrupt Enable Bit

OUT = Output level

S = Sign Bit

ST = STOP Bit

Figure 11. Crystal Accuracy Across Temperature

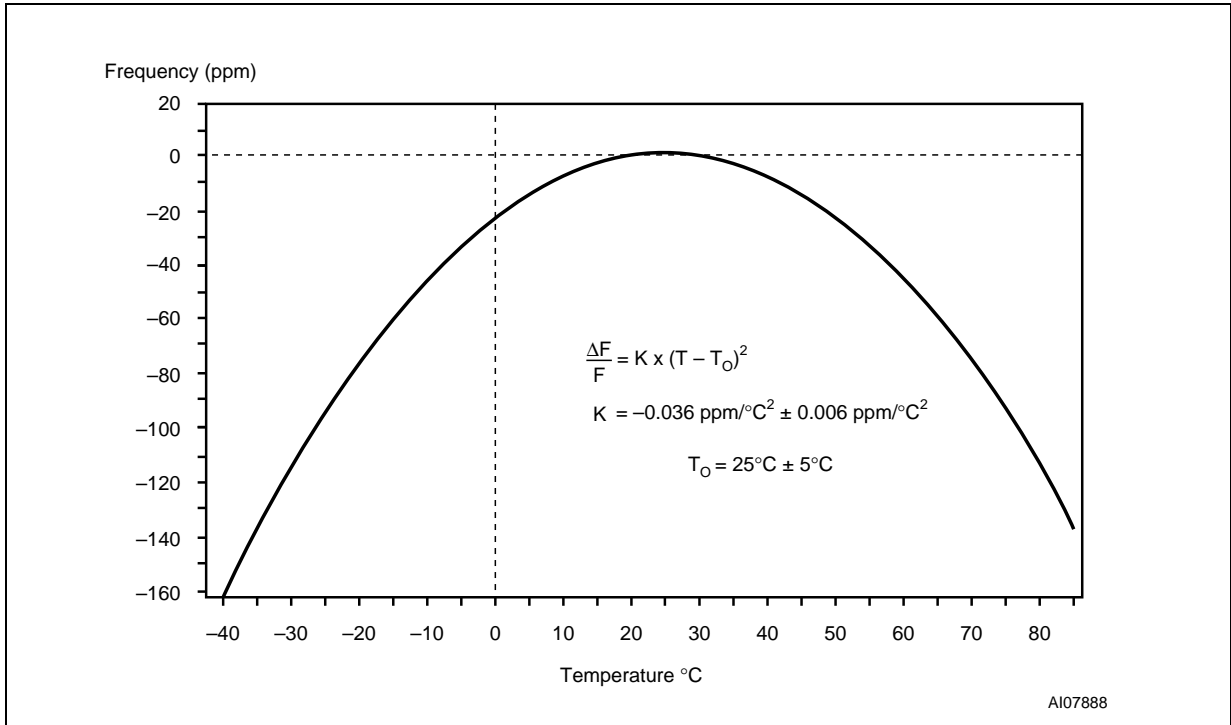
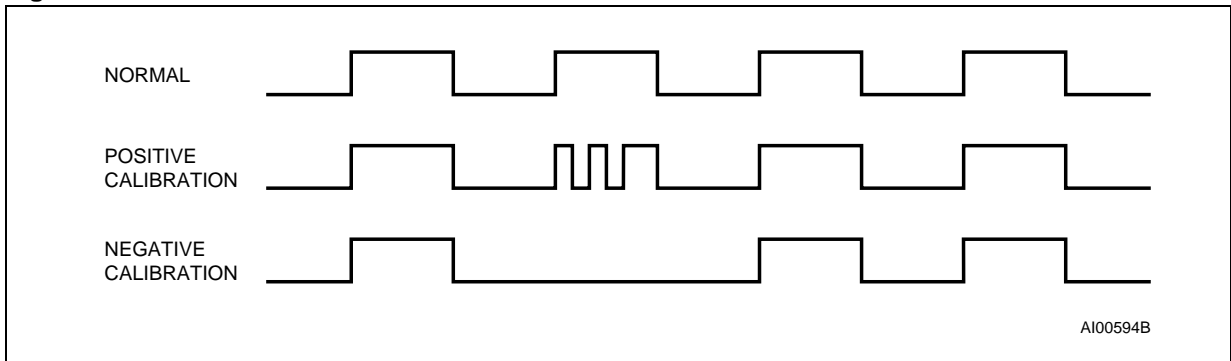


Figure 12. Calibration Waveform



### Century Bits

These two bits will increment in a binary fashion at the turn of the century, and handle leap years correctly. See Table 3 for additional explanation.

#### Output Driver Pin

When the OFIE Bit is not set to generate an interrupt, the OFIRQ/OUT pin becomes an output driver that reflects the contents of D7 of the Calibration Register. In other words, when D7 (OUT Bit) is a '0,' then the OFIRQ/OUT pin will be driven low.

**Note:** The OFIRQ/OUT pin is an open drain which requires an external pull-up resistor.

#### Oscillator Stop Detection

In the event that the oscillator has either stopped, or was stopped for some period of time, and if the Oscillator Fail Interrupt Enable (OFIE) Bit is set to a '1,' it will generate an interrupt. This interrupt can be used to judge the validity of the clock and date data.

The interrupt will be active any time the oscillator stops. The following conditions will cause the OFIRQ pin to be active:

- The first time power is applied (defaults active on power-up).
- The voltage present on  $V_{CC}$  or back-up supply is insufficient to support oscillation.
- The ST Bit is set to '1.'
- External interference of the crystal.

The Oscillator Fail Interrupt (OFIRQ) will remain enabled until the OFIE Bit is reset to '0,' or the oscillator restarts.

The oscillator must start and have run for at least 4 seconds before attempting to set the OFIE Bit to '1.'

#### Initial Power-on Defaults

Upon initial application of power to the device, the OFIE and OUT Bit will be set to a '1,' while the ST and FT Bits will be set to '0.' Therefore, the OFIRQ pin will be low on power-up. All other Register bits will initially power-on in a random state.

**Table 3. Century Bits Examples**

CB0	CB1	Leap Year?	Example <sup>(1)</sup>
0	0	Yes	2000
0	1	No	2100
1	0	No	2200
1	1	No	2300

Note: 1. Leap year occurs every four years (for years evenly divisible by four), except for years evenly divisible by 100. The only exceptions are those years evenly divisible by 400 (the year 2000 was a leap year, year 2100 is not).

**MAXIMUM RATING**

Stressing the device above the rating listed in the “Absolute Maximum Ratings” table may cause permanent damage to the device. These are stress ratings only and operation of the device at these or any other conditions above those indicated in the Operating sections of this specification is

not implied. Exposure to Absolute Maximum Rating conditions for extended periods may affect device reliability. Refer also to the STMicroelectronics SURE Program and other relevant quality documents.

**Table 4. Absolute Maximum Ratings**

Symbol	Parameter	Value	Unit
T <sub>STG</sub>	Storage Temperature (V <sub>CC</sub> Off, Oscillator Off)	–55 to 125	°C
V <sub>CC</sub>	Supply Voltage	–0.3 to 4.6	V
T <sub>SLD</sub> <sup>(1)</sup>	Lead Solder Temperature for 10 Seconds	260	°C
V <sub>IO</sub>	Input or Output Voltages	–0.2 to V <sub>CC</sub> + 0.2	V
I <sub>O</sub>	Output Current	20	mA
P <sub>D</sub>	Power Dissipation	1	W

Note: 1. Reflow at peak temperature of 260°C (total thermal budget not to exceed 245°C for greater than 30 seconds).

## DC AND AC PARAMETERS

This section summarizes the operating and measurement conditions, as well as the DC and AC characteristics of the device. The parameters in the following DC and AC Characteristic tables are derived from tests performed under the Measure-

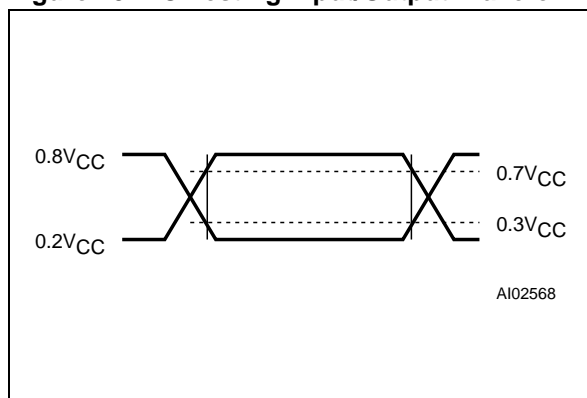
ment Conditions listed in the relevant tables. Designers should check that the operating conditions in their projects match the measurement conditions when using the quoted parameters.

**Table 5. Operating and AC Measurement Conditions**

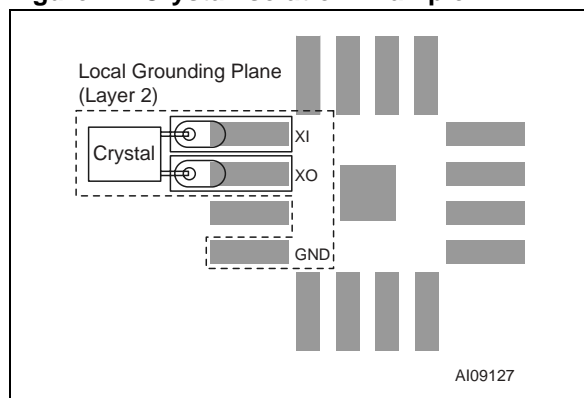
Parameter	M41T60	Unit
Supply Voltage ( $V_{CC}$ )	1.3 to 3.6	V
Ambient Operating Temperature ( $T_A$ )	-40 to 85	°C
Load Capacitance ( $C_L$ )	50	pF
Input Rise and Fall Times	$\leq 5$	ns
Input Pulse Voltages	$0.2V_{CC}$ to $0.8V_{CC}$	V
Input and Output Timing Ref. Voltages	$0.3V_{CC}$ to $0.7V_{CC}$	V

Note: Output Hi-Z is defined as the point where data is no longer driven.

**Figure 13. AC Testing Input/Output Waveform**



**Figure 14. Crystal Isolation Example**



Note: Substrate pad should be tied to  $V_{SS}$ .

**Table 6. Capacitance**

Symbol	Parameter <sup>(1,2)</sup>	Min	Max	Unit
$C_{IN}$	Input Capacitance (SCL)		7	pF
$C_{OUT}^{(3)}$	Output Capacitance (SDA, OUT)		10	pF
$t_{LP}$	Low-pass filter input time constant (SDA and SCL)		50	ns

Note: 1. Effective capacitance measured with power supply at 3.6V; sampled only, not 100% tested.

2. At 25°C,  $f = 1\text{MHz}$ .
3. Outputs deselected.

Table 7. DC Characteristics

Sym	Parameter	Test Condition <sup>(1)</sup>	Min	Typ	Max	Unit
V <sub>CC</sub> <sup>(3)</sup>	Operating Voltage	Clock <sup>(2)</sup>	1.0		3.6	V
		I <sup>2</sup> C Bus (400KHz)	1.3		3.6	V
I <sub>CC1</sub>	Supply Current	SCL = 400KHz (No Load)	V <sub>CC</sub> = 3.6V		400	μA
			V <sub>CC</sub> = 3.0V		350	μA
			V <sub>CC</sub> = 2.5V		300	μA
			V <sub>CC</sub> = 2.0V		250	μA
I <sub>CC2</sub>	Supply Current (Standby)	SCL = 0Hz All inputs ≥ V <sub>CC</sub> - 0.2V ≤ V <sub>SS</sub> + 0.2V	3.6V		0.70	μA
			3.0V		0.65	μA
			2.0V		0.60	μA
I <sub>OSC</sub>	Oscillator Current	@ 25°C	V <sub>CC</sub> = 3.0V	0.3	0.5	μA
		-40°C to 85°C				μA
V <sub>IL</sub>	Input Low Voltage		-0.2		0.3 V <sub>CC</sub>	V
V <sub>IH</sub>	Input High Voltage		0.7 V <sub>CC</sub>		V <sub>CC</sub> + 0.2	V
V <sub>OL</sub>	Output Low Voltage	V <sub>CC</sub> = 3.6V, I <sub>OL</sub> = 3mA (SDA)			0.4	V
		V <sub>CC</sub> = 3.6V, I <sub>OL</sub> = 1mA ( $\overline{\text{OFIRQ}}/\text{OUT}$ )			0.4	V
	Pull-up Supply Voltage (Open Drain)	FT, $\overline{\text{OFIRQ}}/\text{OUT}$			3.6	V
I <sub>LI</sub>	Input Leakage Current	0V ≤ V <sub>IN</sub> ≤ V <sub>CC</sub>	-1.0		+1.0	μA
I <sub>LO</sub>	Output Leakage Current	0V ≤ V <sub>OUT</sub> ≤ V <sub>CC</sub>	-1.0		+1.0	μA

Note: 1. Valid for Ambient Operating Temperature: T<sub>A</sub> = -40 to 85°C; V<sub>CC</sub> = 1.3 to 3.6V (except where noted).

2. Oscillator start-up guaranteed at 1.5V only.

3. When using battery back-up, V<sub>CC</sub> fall time should not exceed 10mV/μs.

Table 8. Crystal Electrical Characteristics

Symbol	Parameter <sup>(1,2)</sup>	Min	Typ	Max	Unit
f <sub>O</sub>	Resonant Frequency		32.768		KHz
R <sub>S</sub>	Series Resistance			60 <sup>(3)</sup>	KΩ
C <sub>L</sub>	Load Capacitance		6		pF

Note: 1. These values are externally supplied. STMicroelectronics recommends the Citizen CFS-145 (1.5x5mm) and the KDS DT-38 (3x8mm) for thru-hole, or the KDS DMX-26S (3.2x8mm) for surface-mount, tuning fork-type quartz crystals.

KDS can be contacted at [kouhou@kdsj.co.jp](mailto:kouhou@kdsj.co.jp) or <http://www.kdsj.co.jp>.

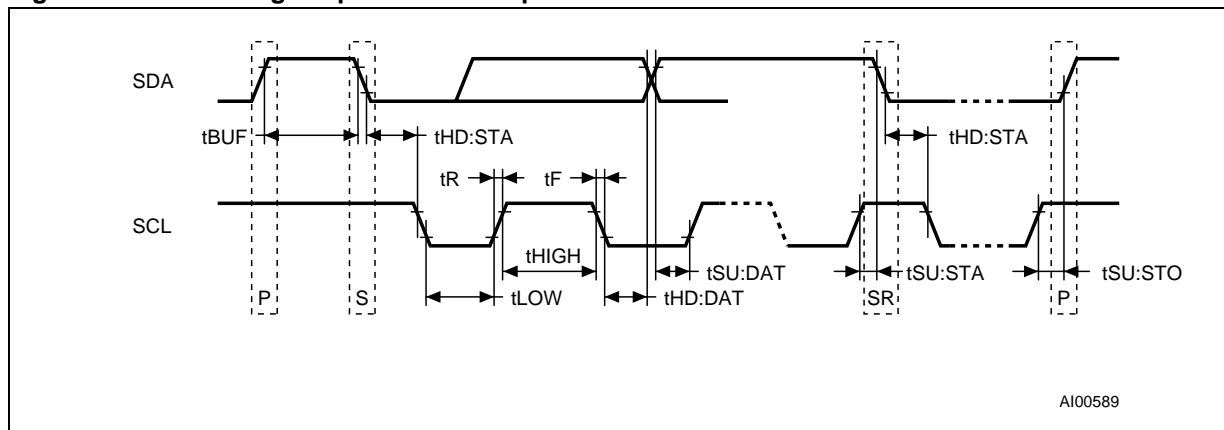
Citizen can be contacted at [csd@citizen-america.com](mailto:csd@citizen-america.com) or <http://www.citizencrystal.com>.

2. Load capacitors are integrated within the M41T60. Circuit board layout considerations for the 32.768KHz crystal of minimum trace lengths and isolation from RF generating signals should be taken into account.

3. Guaranteed by design.



Figure 15. Bus Timing Requirements Sequence



Note: P = STOP and S = START

Table 9. AC Characteristics

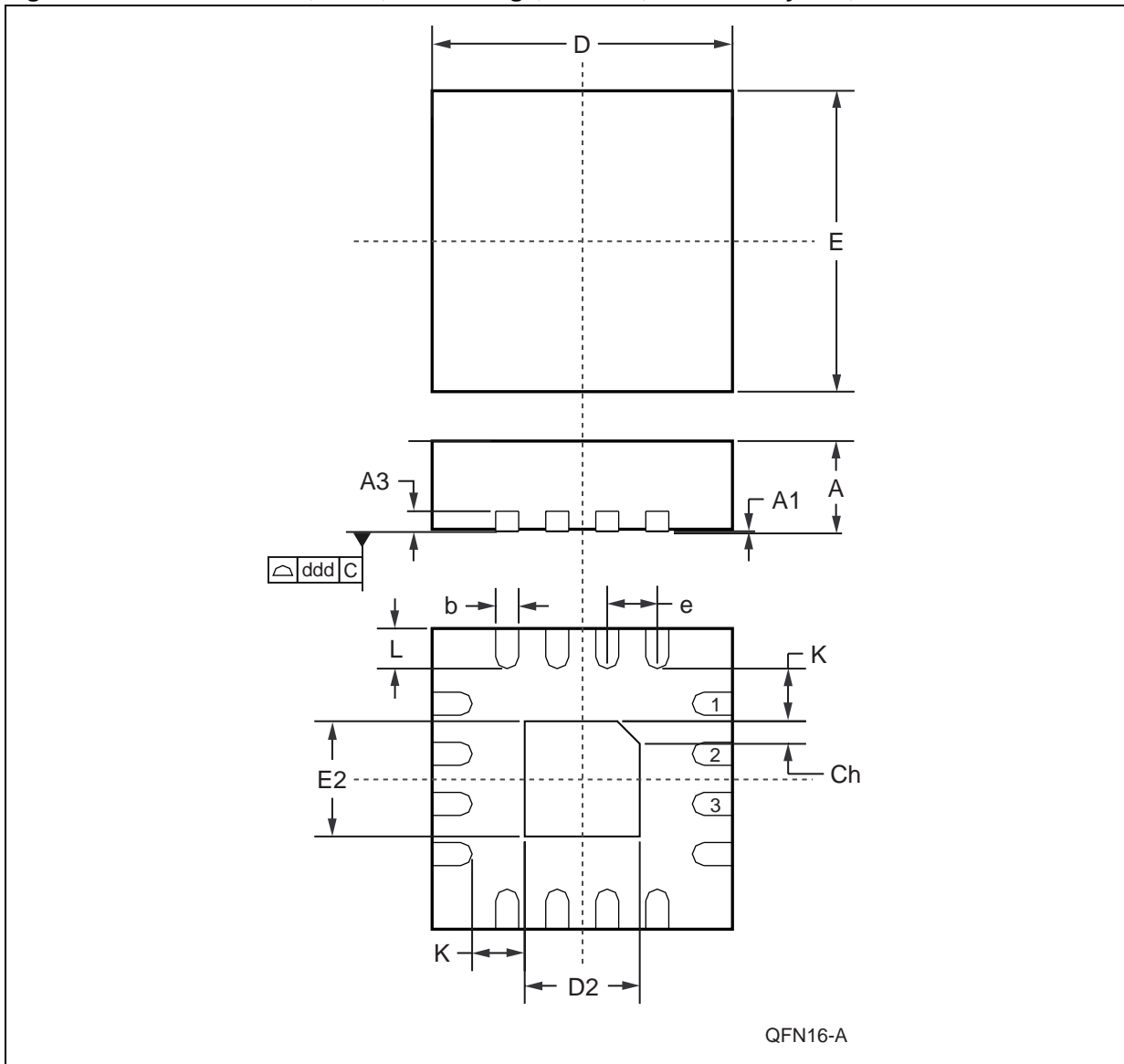
Symbol	Parameter <sup>(1)</sup>	Min	Typ	Max	Unit
$f_{SCL}$	SCL Clock Frequency	0		400	KHz
$t_{LOW}$	Clock Low Period	1.3			$\mu s$
$t_{HIGH}$	Clock High Period	600			ns
$t_R$	SDA and SCL Rise Time			300	ns
$t_F$	SDA and SCL Fall Time			300	ns
$t_{HD:STA}$	START Condition Hold Time (after this period the first clock pulse is generated)	600			ns
$t_{SU:STA}$	START Condition Setup Time (only relevant for a repeated start condition)	600			ns
$t_{SU:DAT}$	Data Setup Time	100			ns
$t_{HD:DAT}^{(2)}$	Data Hold Time	0			$\mu s$
$t_{SU:STO}$	STOP Condition Setup Time	600			ns
$t_{BUF}$	Time the bus must be free before a new transmission can start	1.3			$\mu s$

Note: 1. Valid for Ambient Operating Temperature:  $T_A = -40$  to  $85^\circ C$ ;  $V_{CC} = 1.3$  to  $3.6V$  (except where noted).

2. Transmitter must internally provide a hold time to bridge the undefined region (300ns max.) of the falling edge of SCL.

PACKAGE MECHANICAL INFORMATION

Figure 16. QFN16 – 16-lead, Quad, Flat Package, No Lead, 3x3mm body size, Outline

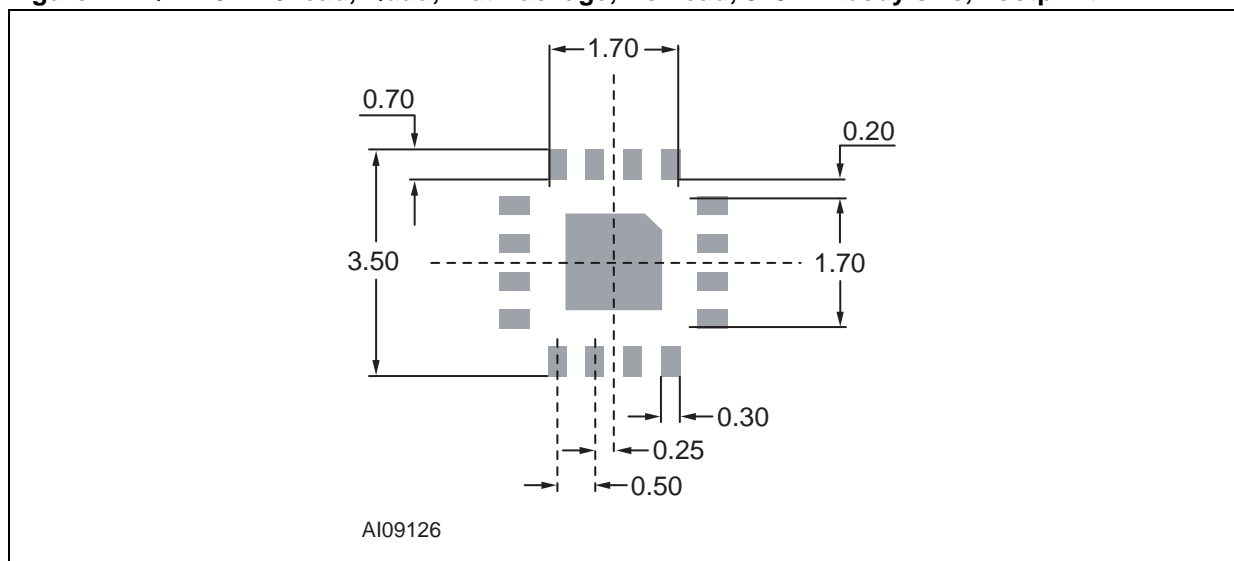


Note: Drawing is not to scale.

Table 10. QFN16 – 16-lead, Quad, Flat Package, No Lead, 3x3mm body size, Mechanical Data

Symb	mm			inches		
	Typ	Min	Max	Typ	Min	Max
A	0.90	0.80	1.00	0.035	0.032	0.039
A1	0.02	0.00	0.05	0.001	0.000	0.002
A3	0.20	–	–	0.008	–	–
b	0.25	0.18	0.30	0.010	0.007	0.012
D	3.00	2.90	3.10	0.118	0.114	0.122
D2	1.70	1.55	1.80	0.067	0.061	0.071
E	3.00	2.90	3.10	0.118	0.114	0.122
E2	1.70	1.55	1.80	0.067	0.061	0.071
e	0.50	–	–	0.020	–	–
K	0.20	–	–	0.008	–	–
L	0.40	0.30	0.50	0.016	0.012	0.020
ddd	–	0.08	–	–	0.003	–
Ch	–	0.33	–	–	0.013	–
N	16			16		

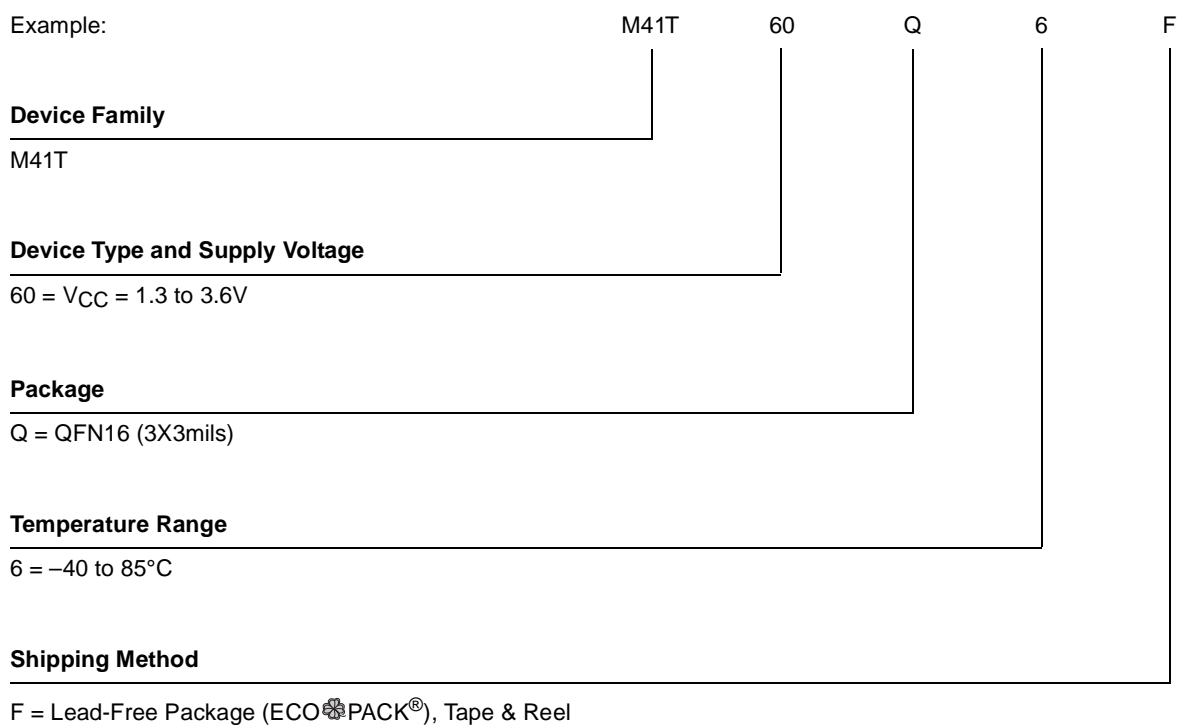
Figure 17. QFN16 – 16-lead, Quad, Flat Package, No Lead, 3x3mm body size, Footprint



Note: Substrate pad should be tied to  $V_{SS}$ .

## PART NUMBERING

**Table 11. Ordering Information Scheme**



For other options, or for more information on any aspect of this device, please contact the ST Sales Office nearest you.

## REVISION HISTORY

**Table 12. Document Revision History**

<b>Date</b>	<b>Version</b>	<b>Revision Details</b>
November 13, 2003	1.0	First Issue
20-Nov-03	1.1	Update characteristics (Figure 2, 3, 4; Table 1, 2, 5, 7, 9)
25-Dec-03	2.0	Reformatted; add crystal isolation, footprint (Figure 14)
13-Jan-04	2.1	Update characteristics (Figure 11, 12, 14; Table 7, 11)
26-Feb-04	2.2	Update characteristics and mechanical dimensions (Figure 16, 17; Table 4, 7, 10)
02-Mar-04	2.3	Update characteristics (Table 7)
26-Apr-04	3.0	Reformat and republish
13-May-04	4.0	Update characteristics (Table 4, 7, 8; Figure 14, 17)

Information furnished is believed to be accurate and reliable. However, STMicroelectronics assumes no responsibility for the consequences of use of such information nor for any infringement of patents or other rights of third parties which may result from its use. No license is granted by implication or otherwise under any patent or patent rights of STMicroelectronics. Specifications mentioned in this publication are subject to change without notice. This publication supersedes and replaces all information previously supplied. STMicroelectronics products are not authorized for use as critical components in life support devices or systems without express written approval of STMicroelectronics.

The ST logo is a registered trademark of STMicroelectronics.

All other names are the property of their respective owners.

© 2004 STMicroelectronics - All rights reserved

STMicroelectronics GROUP OF COMPANIES  
Australia - Belgium - Brazil - Canada - China - Czech Republic - Finland - France - Germany -  
Hong Kong - India - Israel - Italy - Japan - Malaysia - Malta - Morocco - Singapore -  
Spain - Sweden - Switzerland - United Kingdom - United States  
[www.st.com](http://www.st.com)