



L₂Optics

"clear innovation"

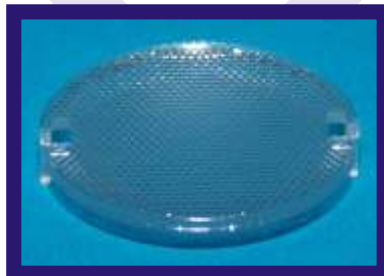
OPTX Lens System for Cree XLamp 7090 LEDs



OPTX Series Base Spot Lens



OPTX Diffuser Sub-Lens



OPTX Wide Sub-Lens



OPTX Oval Sub-Lens

L₂Optics are happy to make you also a special customized lens to meet your specific needs. Please ask L₂Optics for a quotation.



“clear innovation”

L₂Optics OPTX Series Lenses have been designed for use with the Cree XLamp 7090 series of LEDs.

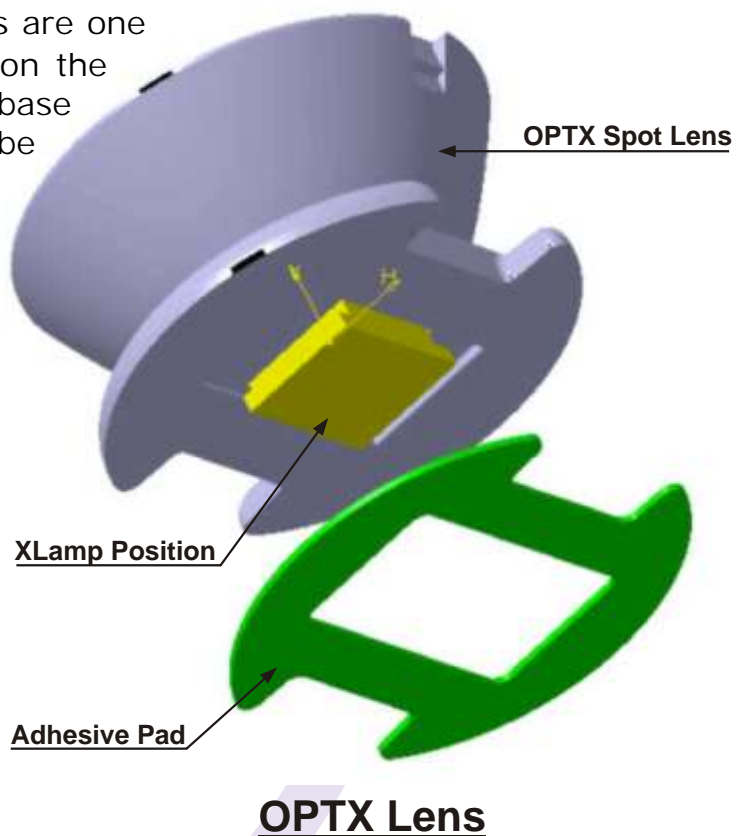
There are three different illumination patterns available: spot, wide and oval.

LED type, chip type and colour has an effect on illumination pattern, e.g., non-white LEDs give a narrower distribution. If you need more exact data on the issue, please contact L₂Optics for advice.

All L₂Optics OPTX Series Lenses are made from optical grade PMMA (acrylics) to ensure excellent optical properties as well as long-term material stability and durability.

L₂Optics OPTX Series Lenses are one or two part units depending on the beam angle required. The base lens is a spot beam and can be used on its own or with a clip-on diffuser lens. The other two beam angles, wide and oval are in two parts using the base lens and a clip-on sub lens forming the complete lens.

L₂Optics OPTX Series Lenses do not require an optic holder as the base lens has an integral self-adhesive pad which is stuck directly to the PCB over the top of the XLamp LED. This dramatically cuts down on assembly time and obviates the need for external adhesives.

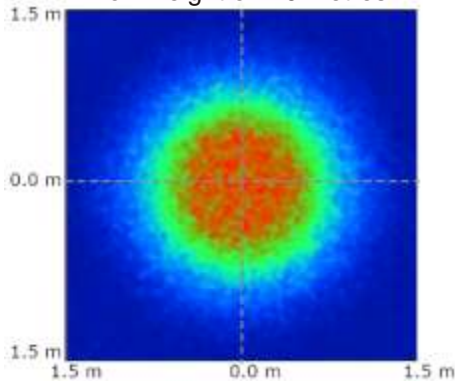




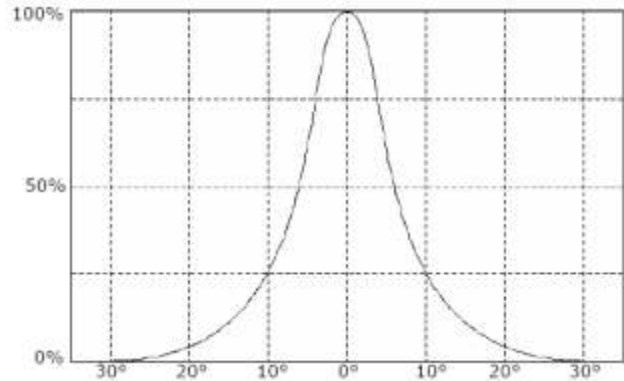
“clear innovation”

All L₂Optics OPTX Series lenses are made of optical grade PMMA (acrylics) to ensure excellent optical properties as well as long-term material stability and durability and have an optical efficiency of the lenses is 85% minimum.

Illumination on the floor from height of 2.0 metres



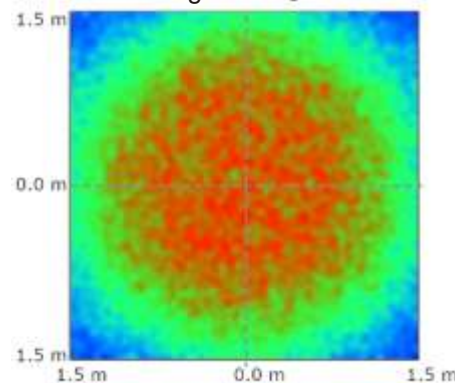
Typical Luminous Intensity Curve



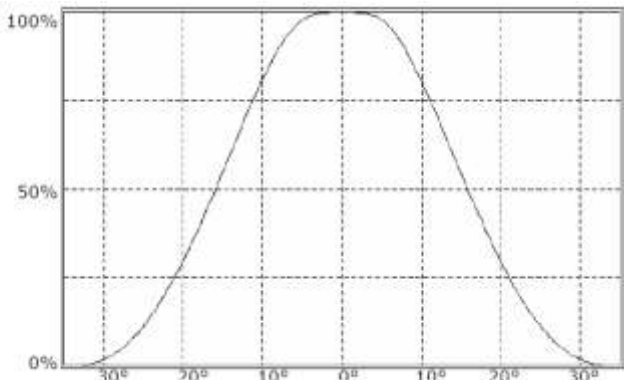
OPTX Spot Module - OPTX-1-006

Typical Lens Efficiency: >85%
Typical Half-Divergence Angle: 6°

Illumination on the floor from height of 2.0 metres



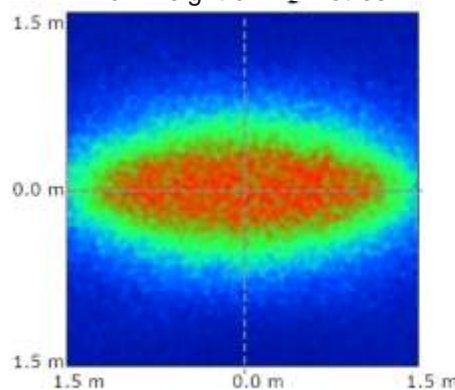
Typical Luminous Intensity Curve



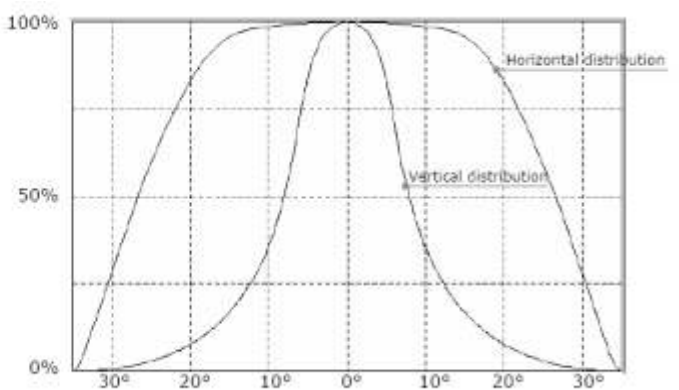
Typical Lens Efficiency: >85% - Typical Half-Divergence Angle: 16°

OPTX Spot Module with Wide Sub Lens - OPTX-1-006 + OPTX-1-016S

Illumination on the floor from height of 2.0 metres



Typical Luminous Intensity Curve



Typical Lens Efficiency: >85% - Typical Half-Divergence Angle: 8°x25°

OPTX Spot Module with Oval Sub Lens - OPTX-1-006 + OPTX-1-825S



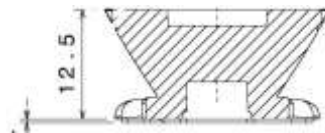
L₂Optics

“clear innovation”

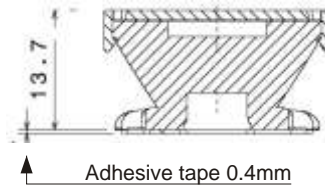
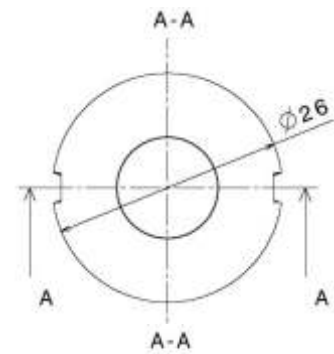
Lens Dimensions for Cree XLamp 7090 LEDs

L₂Optics OPTX lenses position easily and accurately over the XLamp LED. They are easy to fasten onto the PCB using the integral self-adhesive pad.

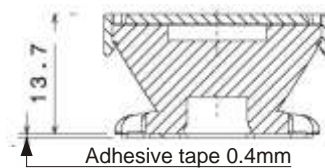
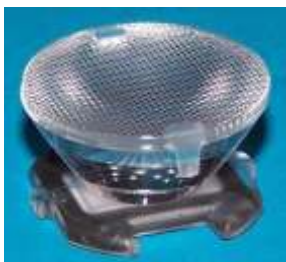
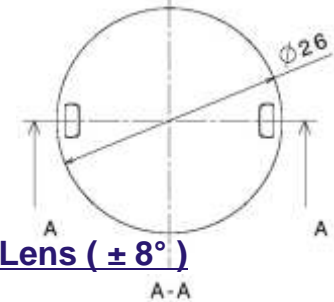
The snap-lock fastening of the sub-lens is very secure and does not allow lens to move or drop out, once it has been placed.



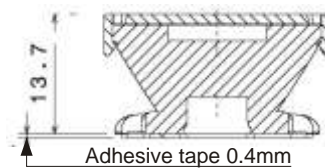
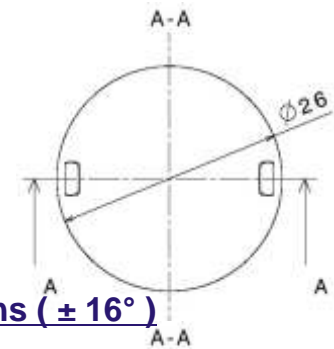
OPTX - Spot ($\pm 6^\circ$)



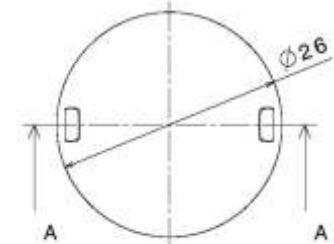
OPTX - Spot + Diffuser Sub-Lens ($\pm 8^\circ$)



OPTX - Spot + Wide Sub-Lens ($\pm 16^\circ$)



OPTX - Spot + Oval Sub-Lens ($\pm 8^\circ \times 25^\circ$)





“clear innovation”

OPTX Series Part Numbers



OPTX Series Base Spot Lens
(OPTX-1-006)



OPTX Diffuser Sub-Lens
(OPTX-1-DIF8)



OPTX Wide Sub-Lens
(OPTX-1-016S)



OPTX Oval Sub-Lens
(OPTX-1-825S)

Part Numbers

Base Lens

OPTX-1-006	OPTX Series Spot Base Module - 6°
------------	-----------------------------------

Sub-Lenses

OPTX-1-DIF8	OPTX Series Spot Diffuser Sub-Lens - 8°
OPTX-1-016S	OPTX Series Wide Sub-Lens - 16°
OPTX-1-825S	OPTX Series Oval Sub-Lens - 8°X25°

L₂Optics are happy to make you also a special customized holder to meet your specific needs. Please ask L₂Optics for a quotation.