

EXAMINED BY :  <i>Vincent Wn</i>	<b>EMERGING DISPLAY</b>  TECHNOLOGIES CORPORATION	FILE NO . CAS-10299
APPROVED BY:  <i>MS Huang</i>		ISSUE : JAN.21,2003
		TOTAL PAGE : 9
		VERSION : 2

CUSTOMER	ACCEPTANCE	SPECIFICATIONS
----------	------------	----------------

MODEL NO. :  
  
13B30(WHITE LED TYPES)  
  
 FOR MESSRS :  
  
 \_\_\_\_\_

CUSTOMER'S APPROVAL  
  
 DATE :  
 \_\_\_\_\_  
  
 BY :  
 \_\_\_\_\_

RECORDS OF REVISION

DATE	REVISED PAGE NO.	SUMMARY																																																																																																								
JAN.21,2003	—	<p><b>NUMBERING SYSTEM</b></p> <table border="1" data-bbox="576 483 884 689"> <tr> <td>LCD type + color</td> <td>Code Value</td> <td rowspan="6">→</td> <td>LCD type + color</td> <td>Code Value</td> </tr> <tr> <td>STN + Yellow-Green</td> <td>Y</td> <td>STN + Yellow-Green</td> <td>Y</td> </tr> <tr> <td>STN + Gray</td> <td>G</td> <td>STN + Gray</td> <td>G</td> </tr> <tr> <td>FSTN + White</td> <td>F</td> <td>FSTN + White</td> <td>F</td> </tr> <tr> <td></td> <td></td> <td>STN + Blue</td> <td>B</td> </tr> <tr> <td></td> <td></td> <td>FSTN + Black</td> <td>N</td> </tr> </table>	LCD type + color	Code Value	→	LCD type + color	Code Value	STN + Yellow-Green	Y	STN + Yellow-Green	Y	STN + Gray	G	STN + Gray	G	FSTN + White	F	FSTN + White	F			STN + Blue	B			FSTN + Black	N																																																																															
LCD type + color	Code Value	→	LCD type + color	Code Value																																																																																																						
STN + Yellow-Green	Y		STN + Yellow-Green	Y																																																																																																						
STN + Gray	G		STN + Gray	G																																																																																																						
FSTN + White	F		FSTN + White	F																																																																																																						
			STN + Blue	B																																																																																																						
			FSTN + Black	N																																																																																																						
	3	<p><b>4. ELECTRICAL CHARACTERISTICS</b></p> <table border="1" data-bbox="600 734 1235 831"> <thead> <tr> <th>PARAMETER</th> <th>SYMBOL</th> <th>CONDITION</th> <th>MIN.</th> <th>TYP.</th> <th>MAX.</th> <th>UNIT</th> </tr> </thead> <tbody> <tr> <td>POWER SUPPLY CURRENT FOR LOGIC NOTE (2)</td> <td>IDD</td> <td>VDD - VSS = 5.0 V VDD - VO = 9.2 V</td> <td>—</td> <td>7.0</td> <td>—</td> <td>mA</td> </tr> </tbody> </table> <table border="1" data-bbox="600 853 1235 949"> <thead> <tr> <th>PARAMETER</th> <th>SYMBOL</th> <th>CONDITION</th> <th>MIN.</th> <th>TYP.</th> <th>MAX.</th> <th>UNIT</th> </tr> </thead> <tbody> <tr> <td>POWER SUPPLY CURRENT FOR LOGIC NOTE (2)</td> <td>IDD</td> <td>VDD - VSS = 5.0 V VDD - VO = 9.2 V</td> <td>—</td> <td>7.0</td> <td>10.0</td> <td>mA</td> </tr> </tbody> </table>	PARAMETER	SYMBOL	CONDITION	MIN.	TYP.	MAX.	UNIT	POWER SUPPLY CURRENT FOR LOGIC NOTE (2)	IDD	VDD - VSS = 5.0 V VDD - VO = 9.2 V	—	7.0	—	mA	PARAMETER	SYMBOL	CONDITION	MIN.	TYP.	MAX.	UNIT	POWER SUPPLY CURRENT FOR LOGIC NOTE (2)	IDD	VDD - VSS = 5.0 V VDD - VO = 9.2 V	—	7.0	10.0	mA																																																																												
PARAMETER	SYMBOL	CONDITION	MIN.	TYP.	MAX.	UNIT																																																																																																				
POWER SUPPLY CURRENT FOR LOGIC NOTE (2)	IDD	VDD - VSS = 5.0 V VDD - VO = 9.2 V	—	7.0	—	mA																																																																																																				
PARAMETER	SYMBOL	CONDITION	MIN.	TYP.	MAX.	UNIT																																																																																																				
POWER SUPPLY CURRENT FOR LOGIC NOTE (2)	IDD	VDD - VSS = 5.0 V VDD - VO = 9.2 V	—	7.0	10.0	mA																																																																																																				
	5	<p><b>6. OPTICAL CHARACTERISTICS</b></p> <table border="1" data-bbox="600 999 1273 1167"> <thead> <tr> <th colspan="2">I T E M</th> <th>SYMBOL</th> <th>CONDITION</th> <th>MIN.</th> <th>TYP.</th> <th>MAX.</th> <th>UNIT</th> <th>NOTE</th> </tr> </thead> <tbody> <tr> <td rowspan="2">VIEWING AREA</td> <td>STN</td> <td rowspan="2">∅ 2 - ∅ 1</td> <td rowspan="2">K ≥ 1.4</td> <td>3.0</td> <td>—</td> <td>—</td> <td>deg.</td> <td>1</td> </tr> <tr> <td>FSTN</td> <td>4.0</td> <td>—</td> <td>—</td> <td>deg.</td> <td>1</td> </tr> <tr> <td rowspan="2">CONTRAST RATIO</td> <td>STN</td> <td rowspan="2">K</td> <td rowspan="2">∅ = 10° θ = 0°</td> <td>—</td> <td>5</td> <td>—</td> <td>—</td> <td>1</td> </tr> <tr> <td>FSTN</td> <td>—</td> <td>8</td> <td>—</td> <td>—</td> <td>1</td> </tr> <tr> <td rowspan="2">THE BRIGHTNESS OF MODULE</td> <td rowspan="2">L</td> <td rowspan="2">VLED-VLSS=5.0V</td> <td>10</td> <td>17</td> <td>—</td> <td>cd/m<sup>2</sup></td> <td>1,2</td> </tr> <tr> <td>15</td> <td>28</td> <td>—</td> <td>cd/m<sup>2</sup></td> <td>1,3</td> </tr> </tbody> </table> <table border="1" data-bbox="600 1189 1273 1357"> <thead> <tr> <th colspan="2">I T E M</th> <th>SYMBOL</th> <th>CONDITION</th> <th>MIN.</th> <th>TYP.</th> <th>MAX.</th> <th>UNIT</th> <th>NOTE</th> </tr> </thead> <tbody> <tr> <td rowspan="2">VIEWING AREA</td> <td>STN</td> <td rowspan="2">∅ 2 - ∅ 1</td> <td rowspan="2">K ≥ 1.4</td> <td>25</td> <td>—</td> <td>—</td> <td>deg.</td> <td>1</td> </tr> <tr> <td>FSTN</td> <td>35</td> <td>—</td> <td>—</td> <td>deg.</td> <td>1</td> </tr> <tr> <td rowspan="2">CONTRAST RATIO</td> <td>STN</td> <td rowspan="2">K</td> <td rowspan="2">∅ = 10° θ = 0°</td> <td>—</td> <td>2.0</td> <td>—</td> <td>—</td> <td>1</td> </tr> <tr> <td>FSTN</td> <td>—</td> <td>3.0</td> <td>—</td> <td>—</td> <td>1</td> </tr> <tr> <td rowspan="2">THE BRIGHTNESS OF MODULE</td> <td rowspan="2">L</td> <td rowspan="2">VLED-VLSS=5.0V</td> <td>9</td> <td>12</td> <td>—</td> <td>cd/m<sup>2</sup></td> <td>1,2</td> </tr> <tr> <td>15</td> <td>28</td> <td>—</td> <td>cd/m<sup>2</sup></td> <td>1,3</td> </tr> </tbody> </table>	I T E M		SYMBOL	CONDITION	MIN.	TYP.	MAX.	UNIT	NOTE	VIEWING AREA	STN	∅ 2 - ∅ 1	K ≥ 1.4	3.0	—	—	deg.	1	FSTN	4.0	—	—	deg.	1	CONTRAST RATIO	STN	K	∅ = 10° θ = 0°	—	5	—	—	1	FSTN	—	8	—	—	1	THE BRIGHTNESS OF MODULE	L	VLED-VLSS=5.0V	10	17	—	cd/m <sup>2</sup>	1,2	15	28	—	cd/m <sup>2</sup>	1,3	I T E M		SYMBOL	CONDITION	MIN.	TYP.	MAX.	UNIT	NOTE	VIEWING AREA	STN	∅ 2 - ∅ 1	K ≥ 1.4	25	—	—	deg.	1	FSTN	35	—	—	deg.	1	CONTRAST RATIO	STN	K	∅ = 10° θ = 0°	—	2.0	—	—	1	FSTN	—	3.0	—	—	1	THE BRIGHTNESS OF MODULE	L	VLED-VLSS=5.0V	9	12	—	cd/m <sup>2</sup>	1,2	15	28	—	cd/m <sup>2</sup>	1,3
I T E M		SYMBOL	CONDITION	MIN.	TYP.	MAX.	UNIT	NOTE																																																																																																		
VIEWING AREA	STN	∅ 2 - ∅ 1	K ≥ 1.4	3.0	—	—	deg.	1																																																																																																		
	FSTN			4.0	—	—	deg.	1																																																																																																		
CONTRAST RATIO	STN	K	∅ = 10° θ = 0°	—	5	—	—	1																																																																																																		
	FSTN			—	8	—	—	1																																																																																																		
THE BRIGHTNESS OF MODULE	L	VLED-VLSS=5.0V	10	17	—	cd/m <sup>2</sup>	1,2																																																																																																			
			15	28	—	cd/m <sup>2</sup>	1,3																																																																																																			
I T E M		SYMBOL	CONDITION	MIN.	TYP.	MAX.	UNIT	NOTE																																																																																																		
VIEWING AREA	STN	∅ 2 - ∅ 1	K ≥ 1.4	25	—	—	deg.	1																																																																																																		
	FSTN			35	—	—	deg.	1																																																																																																		
CONTRAST RATIO	STN	K	∅ = 10° θ = 0°	—	2.0	—	—	1																																																																																																		
	FSTN			—	3.0	—	—	1																																																																																																		
THE BRIGHTNESS OF MODULE	L	VLED-VLSS=5.0V	9	12	—	cd/m <sup>2</sup>	1,2																																																																																																			
			15	28	—	cd/m <sup>2</sup>	1,3																																																																																																			
	7	<p><b>8. BLOCK DIAGRAM</b> <b>ALL PAGE REVISION</b></p>																																																																																																								

NUMBERING SYSTEM

Polarizer Mode	Backlight	Code value
Transflective	LED	L
Transmissive	LED	M

E	W	13	B	30	F	L	W
---	---	----	---	----	---	---	---

LCD type + color	Code Value
STN + Yellow-Green	Y
STN + Gray	G
FSTN + White	F
STN + Blue	B
FSTN + Black	N

TABLE OF CONTENTS

NO.	ITEM	PAGE
=====		
1.	GENERAL SPECIFICATIONS -----	1
2.	MECHANICAL SPECIFICATIONS -----	1
3.	ABSOLUTE MAXIMUM RATINGS -----	2
4.	ELECTRICAL CHARACTERISTICS -----	3
5.	INTERFACE TIMING CHARACTERISTICS -----	4
6.	OPTICAL CHARACTERISTICS -----	5
7.	OUTLINE DIMENSION -----	6
8.	BLOCK DIAGRAM -----	7
9.	DETAIL DRAWING OF DOT MATRIX -----	8
10.	INTERFACE SIGNALS -----	8
11.	POWER SUPPLY -----	9

1. GENERAL SPECIFICATIONS

1.1 GENERAL SPECIFICATIONS

PLEASE REFER TO :

CUSTOMER ACCEPTANCE STANDARD SPECIFICATIONS :

EU - 002A

1.2 APPLICATION NOTES FOR CONTROLLER

PLEASE REFER TO :

CUSTOMER ACCEPTANCE STANDARD SPECIFICATIONS :

EU - 100

1.3 THIS INDIVIDUAL SPECIFICATION IS PRIOR TO GENERAL SPECIFICATIONS .

2. MECHANICAL SPECIFICATIONS

- (1) NUMBER OF DOTS ----- 128W \* 64H DOTS
- (2) MODULE SIZE ----- 93.0W \* 70.0H \* 14.0D(max) mm
- (3) EFFECTIVE AREA ----- 70.7W \* 38.8H mm
- (4) ACTIVE AREA ----- 65.25W \* 32.61H mm
- (5) DOT SIZE ----- 0.48W \* 0.48H mm
- (6) DOT PITCH ----- 0.51W \* 0.51H mm
- (7) LCD TYPE \*
- (8) DRIVING METHOD ----- 1 / 64 DUTY MULTIPLEX DRIVE
- (9) BACKLIGHT ----- LED , COLOR : WHITE

\* PLEASE REFER TO NUMBERING SYSTEM .

### 3. ABSOLUTE MAXIMUM RATINGS

#### 3.1 ELECTRICAL ABSOLUTE MAXIMUM RATINGS .

PARAMETER	SYMBOL	MIN .	MAX .	UNIT	REMARK
POWER SUPPLY FOR LOGIC	VDD – VSS	0	7.0	V	
INPUT VOLTAGE	VI	VSS	VDD	V	
STATIC ELECTRICITY	—	—	100	V	NOTE (1)
LED REVERSE VOLTAGE	VR	—	5.0	V	

NOTE (1) : TEST METHOD AND CONDITIONS :  
AFTER CHARGING UP 200 PF CAPACITOR BY STATED VOLTAGE ,  
THE CAPACITOR IS CONNECTED WITH INTERFACE PINS OF THE  
MODULE .

#### 3.2 ENVIRONMENTAL ABSOLUTE MAXIMUM RATINGS .

I T E M	OPERATING		STORAGE		COMMENT
	MIN .	MAX .	MIN .	MAX .	
AMBIENT TEMPERATURE	-20 °C	70 °C	-30 °C	80 °C	NOTE (2) , (3)
HUMIDITY	—	85 % RH	—	85 % RH	WITHOUT CONDENSATION
VIBRATION	—	2.45 m/s <sup>2</sup> (0.25 G)	—	11.76 m/s <sup>2</sup> (1.2 G)	10 ~ 100 HZ XYZ DIRECTIONS 1 Hr . EACH
SHOCK	—	29.4 m/s <sup>2</sup> (3 G)	—	490.0 m/s <sup>2</sup> (50 G)	1 Mseconds XYZ DIRECTIONS 1 TIME EACH
CORROSIVE GAS	NOT ACCEPTABLE		NOT ACCEPTABLE		

NOTE (2) : Ta AT -30°C : 48HR MAX .  
80°C : 168HR MAX .

NOTE (3) : BACKGROUND COLOR CHANGES SLIGHTLY DEPENDING ON AMBIENT  
TEMPERATURE THIS PHENOMENON IS REVERSIBLE .

4. ELECTRICAL CHARACTERISTICS

Ta = 25 °C

VDD = 5.0 V

PARAMETER	SYMBOL	CONDITION	MIN.	TYP.	MAX.	UNIT
POWER SUPPLY VOLTAGE FOR LOGIC	VDD - VSS	—	4.75	5.0	5.25	V
INPUT VOLTAGE NOTE (1)	VIH	H LEVEL	0.7*VDD	—	VDD	V
	VIL	L LEVEL	GND	—	0.3*VDD	V
OUTPUT VOLTAGE NOTE (1)	VOH	H LEVEL	VDD-0.4	—	—	V
	VOL	L LEVEL	—	—	0.4	V
POWER SUPPLY CURRENT FOR LOGIC NOTE (2)	IDD	VDD - VSS = 5.0 V VDD - VO = 9.2 V	—	7.0	10.0	mA
RECOMMENDED LCD DRIVING VOLTAGE	VDD - VO ∅ = 10° θ = 0°	Ta = -20 °C	8.2	9.2	10.2	V
		Ta = 25 °C	8.2	9.2	10.2	
		Ta = 70 °C	7.4	8.4	9.4	
POWER SUPPLY LED B/L	VLED - VLSS	IF = 60 mA	—	5.0	—	V

NOTE (1): APPLIED TO TERMINALS CS1, CS2, R/W, D/I, DB0~DB7, E, RST.

NOTE (2): THE DISPLAY PATTERN IS ALL "ON" / "OFF".

5. INTERFACE TIMING CHARACTERISTICS

PARAMETER	SYMBOL	MIN.	TYP.	MAX.	UNIT	FIG.
E cycle time	t <sub>CYC</sub>	1000	—	—	nS	1,2
E high level	P <sub>WEH</sub>	450	—	—	nS	1,2
E low level width	P <sub>WEL</sub>	450	—	—	nS	1,2
E rise time	t <sub>r</sub>	—	—	25	nS	1,2
E fall time	t <sub>f</sub>	—	—	25	nS	1,2
Address setup time	t <sub>AS</sub>	140	—	—	nS	1,2
Address hold time	t <sub>AH</sub>	10	—	—	nS	1,2
Data setup time	t <sub>DSW</sub>	200	—	—	nS	1
Data delay time	t <sub>DDR</sub>	—	—	320	nS	2
Data hold time (Write)	t <sub>DHW</sub>	10	—	—	nS	1
Data hold time (Read)	t <sub>DHR</sub>	20	—	—	nS	2

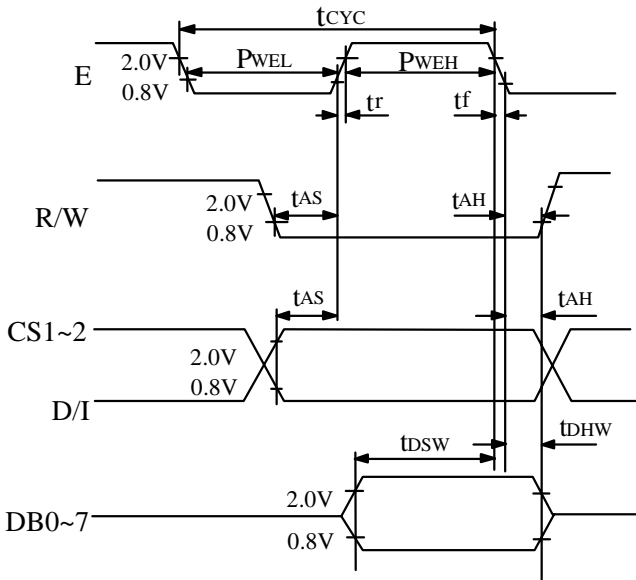


Fig . 1 CPU Write Timing

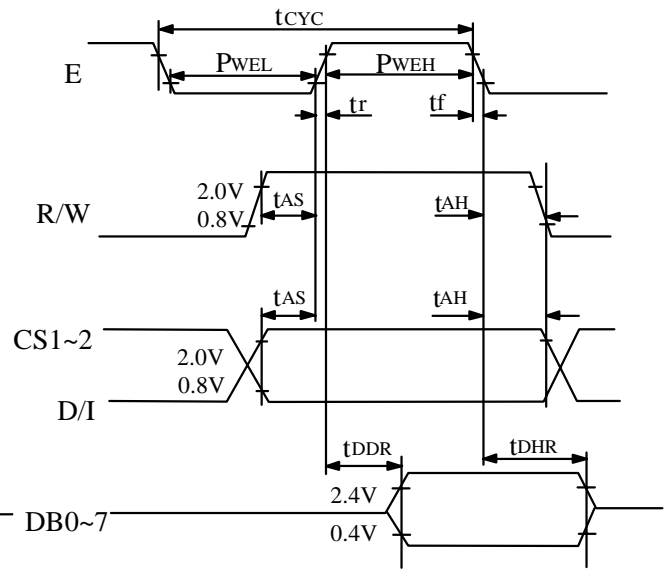


Fig . 1 CPU Read Timing



6. OPTICAL CHARACTERISTICS

Ta = 25 °C

VDD = 5.0 V

VDD - V0 = 9.2 V

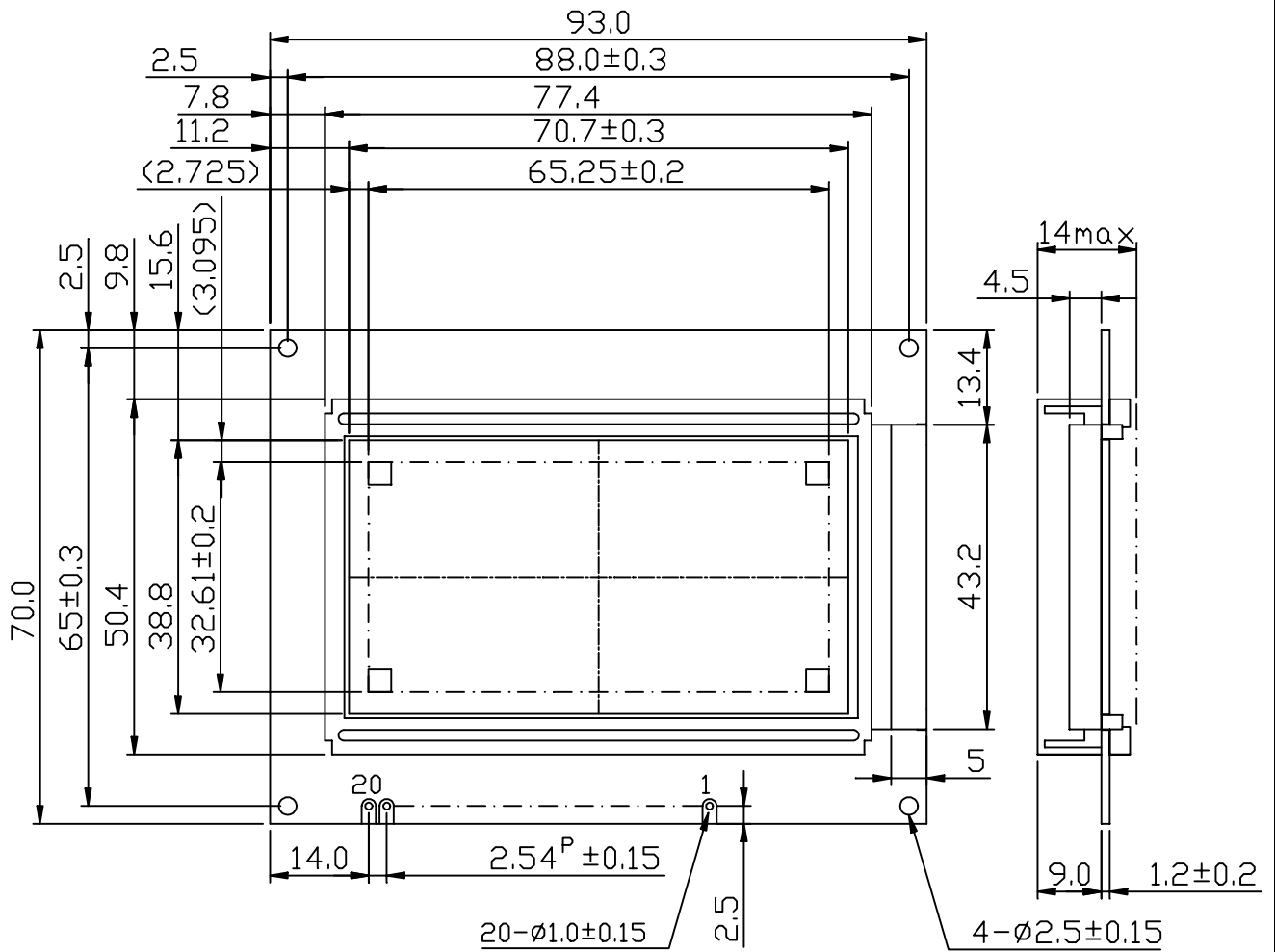
I T E M		SYMBOL	CONDITION	MIN.	TYP.	MAX.	UNIT	NOTE
VIEWING AREA	STN	∅ 2 - ∅ 1	K ≥ 1.4	25	—	—	deg.	1
	FSTN			35	—	—	deg.	1
CONTRAST RATIO	STN	K	∅ = 10° θ = 0°	—	2.0	—	—	1
	FSTN			—	3.0	—	—	1
RESPONSE TIME	tr ( rise )	∅=10° θ = 0°	Ta = -20 °C	—	5538	—	ms	1
			Ta = 25 °C	—	228	—		
			Ta = 70 °C	—	104	—		
	tf ( fall )		Ta = -20 °C	—	2316	—		
			Ta = 25 °C	—	174	—		
			Ta = 70 °C	—	85	—		
THE BRIGHTNESS OF MODULE	L	VLED-VLSS=5.0V	9	12	—	cd/m <sup>2</sup>	1, 2	
			15	28	—		1, 3	

NOTE (1) : PLEASE REFER TO :  
CUSTOMER ACCEPTANCE STANDARD SPECIFICATIONS.  
EU - 001 A

NOTE (2) : POLARIZER MODE : TRANSFLECTIVE

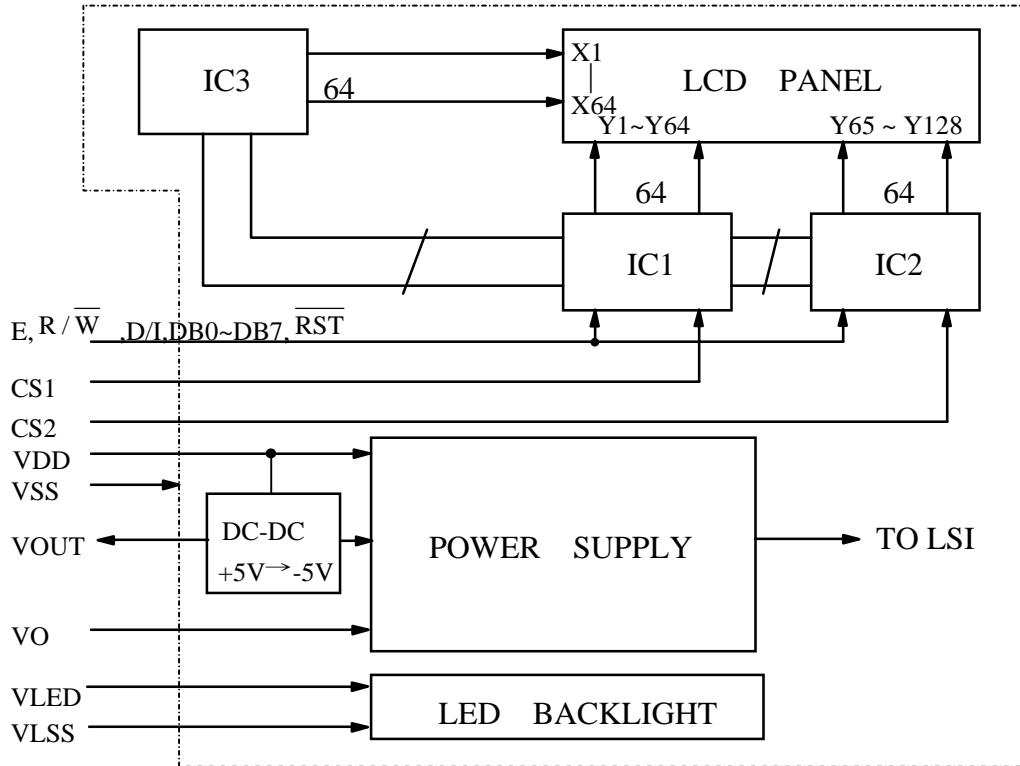
NOTE (3) : POLARIZER MODE : TRANSMISSIVE

7. OUTLINE DIMENSION

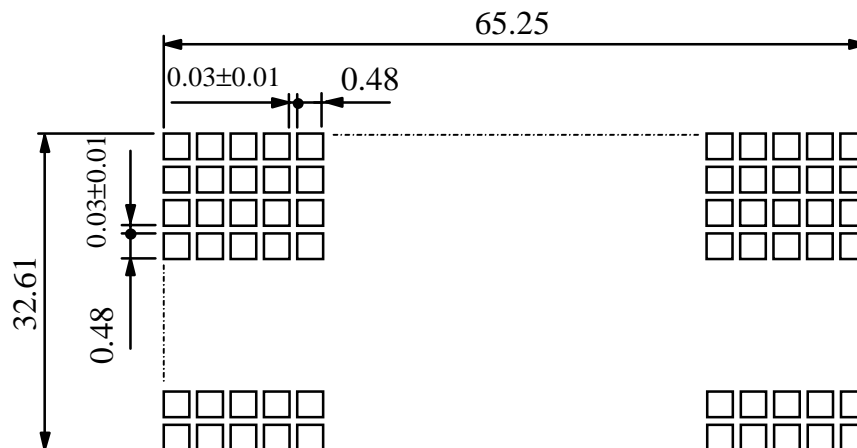


UNIT : mm  
SCALE : NTS  
NOT SPECIFIED TOLERANCE IS ±0.5mm

8. BLOCK DIAGRAM



9. DETAIL DRAWING OF DOT MATRIX



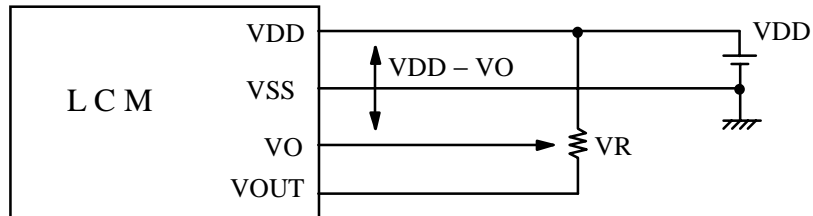
UNIT : mm  
SCALE : NTS  
NOT SPECIFIED TOLERANCE IS ± 0.1

10. INTERFACE SIGNALS

PIN NO	SYMBOL	LEVEL	FUNCTION
1	VSS	—	GROUND
2	VDD	—	POWER SUPPLY FOR LOGIC CIRCUIT
3	VO	—	OPERATING VOLTAGE FOR LCD DRIVING
4	D/I	H/L	H: DATA INPUT L: INSTRUCTION CODE INPUT
5	R/ $\overline{W}$	H/L	H: DATA READ (LCD MODULE →MPU) L: DATA WRITE (LCD MODULE ←MPU)
6	E	H,H→L	ENABLE SIGNAL
7   14	DB0   DB7	H/L	DATA BUS LINE
15	CS1	H	CHIP SELECTION FOR IC1
16	CS2	H	CHIP SELECTION FOR IC2
17	$\overline{RST}$	L	RESET
18	VOUT	—	POWER SUPPLY FOR LCD DRIVING
19	VLED	—	POWER SUPPLY FOR LED BACKLIGHT
20	VLSS	—	POWER SUPPLY FOR LED BACKLIGHT

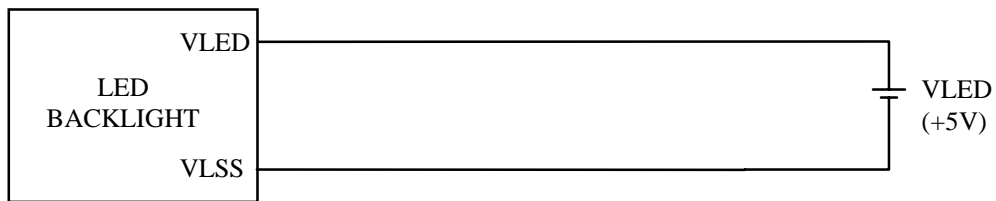
1 1 . POWER SUPPLY

1 1 . 1 POWER SUPPLY FOR LCM



VDD - VO : LCD DRIVING VOLTAGE  
VR : 10K ~ 20KΩ

1 1 . 2 POWER SUPPLY FOR LED BACK - LIGHT



1 1 . 3 TIMING OF POWER SUPPLY AND INTERFACE SIGNAL

